

4

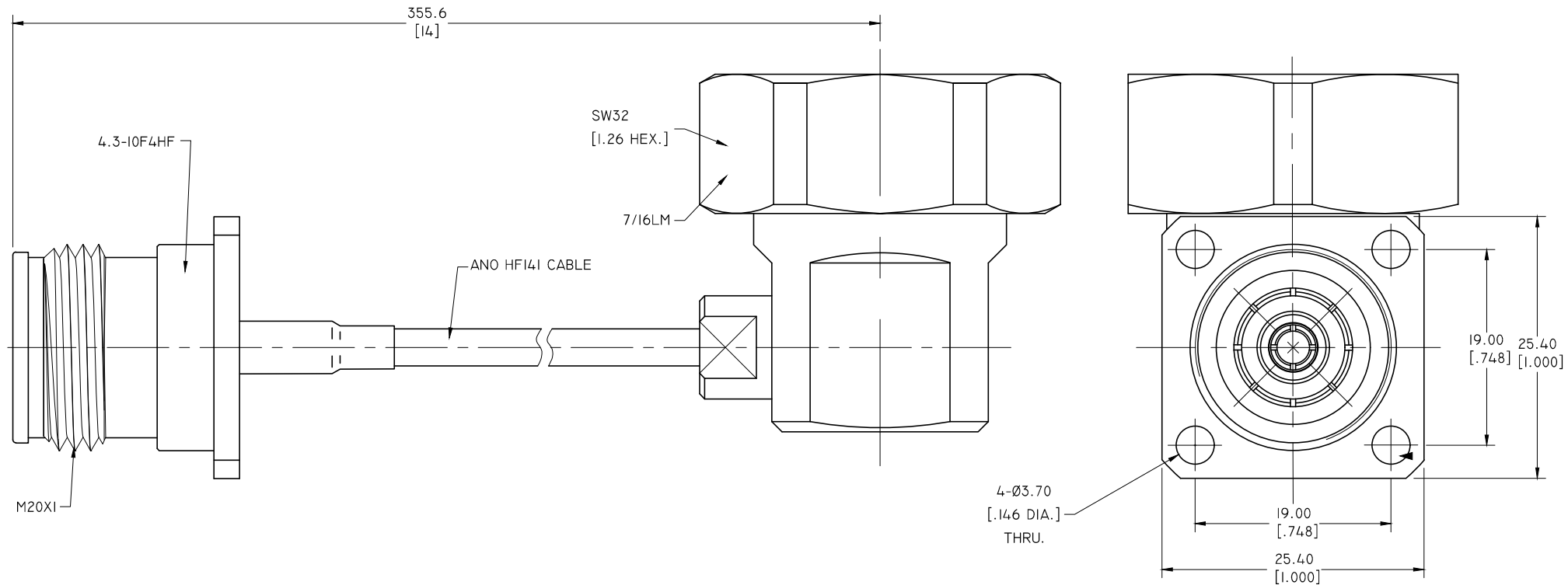
3

2

1

ELECTRICAL DATA:

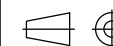
- 1 IMPEDANCE: 50 OHMS
- 2 FREQUENCY RANGE: DC~3 GHz
- 3 VSWR: ≤1.30
- 4 INSERTION LOSS: 0.6 DB MAX.
- 5 PIM: ≤-156DBC AT 2X43DBM



TITLE
 CABLE ASSEMBLY, 4.3-10 STRAIGHT FEMALE 4 HOLE FLANGE
 MOUNT TO 7/16 RIGHT ANGLE MALE, ANO HF14I CABLE, 14 INCHES

- NOTES:
 1. UNLESS OTHERWISE SPECIFIED ALL DIMENSIONS ARE NOMINAL.
 2. ALL SPECIFICATIONS ARE SUBJECT TO CHANGED WITHOUT NOTICE AT ANY TIME.
 3. DIMENSIONS ARE IN MILLIMETERS, DIMENSIONS IN [] ARE IN INCHES
 4. LENGTH TOLERANCE IS ±1.5%.

VIEW



PART NO.

HF14I-4310F4HF-716LM-14

SIZE
A3

SCALE
4:1

SHEET
1/1

REV.
A

4

3

2

1