

4

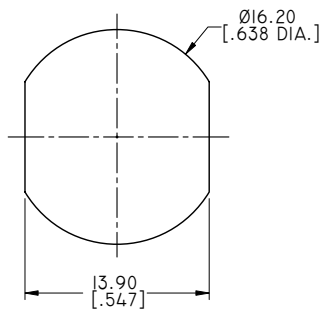
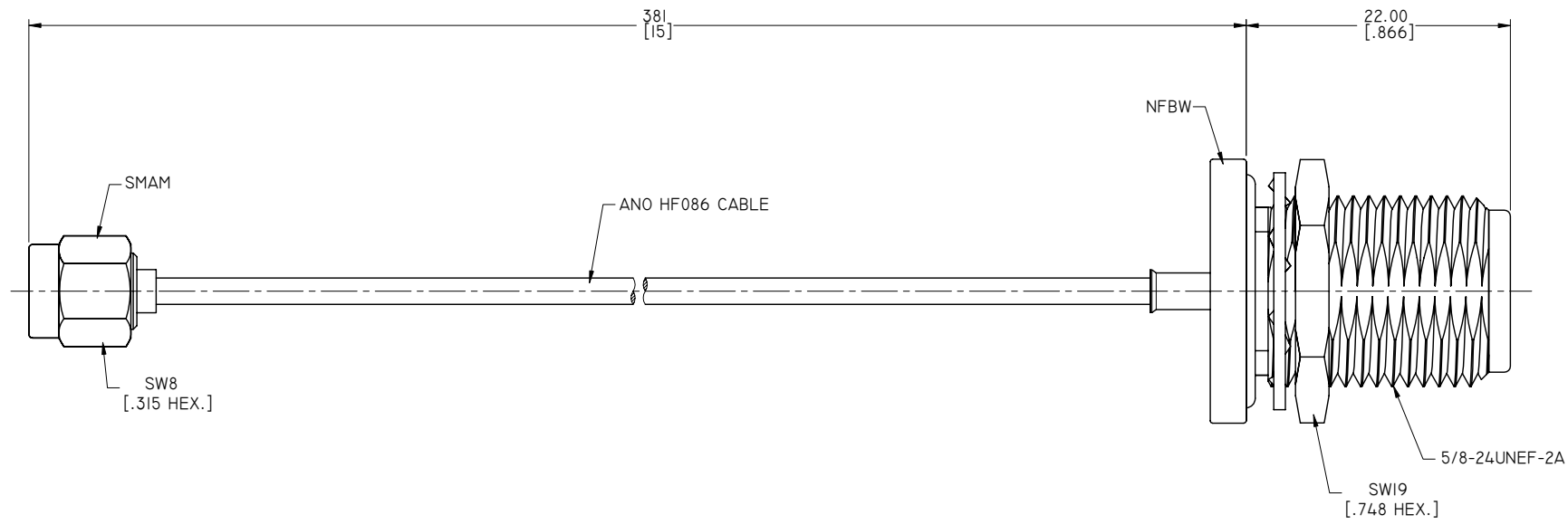
3

2

1

ELECTRICAL DATA:

- 1 IMPEDANCE: 50 OHMS
- 2 FREQUENCY RANGE: DC~6 GHZ



RECOMMENDED MOUNTING HOLE



TITLE
 CABLE ASSEMBLY, SMA STRAIGHT MALE TO N STRAIGHT FEMALE BULKHEAD WATERPROOF, ANO HF086 CABLE, 15 INCHES

NOTES:
 1. UNLESS OTHERWISE SPECIFIED ALL DIMENSIONS ARE NOMINAL.
 2. ALL SPECIFICATIONS ARE SUBJECT TO CHANGED WITHOUT NOTICE AT ANY TIME.
 3. DIMENSIONS ARE IN MILLIMETERS, DIMENSIONS IN [] ARE IN INCHES
 4. LENGTH TOLERANCE IS ±2%.

VIEW		PART NO. HF086-SMAM-NFBW-I5		
		SIZE A3	SCALE 2.5:1	SHEET 1/1
		REV. A		

4

3

2

1