

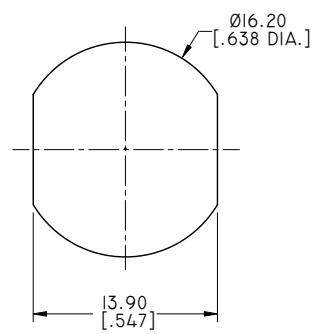
4

3

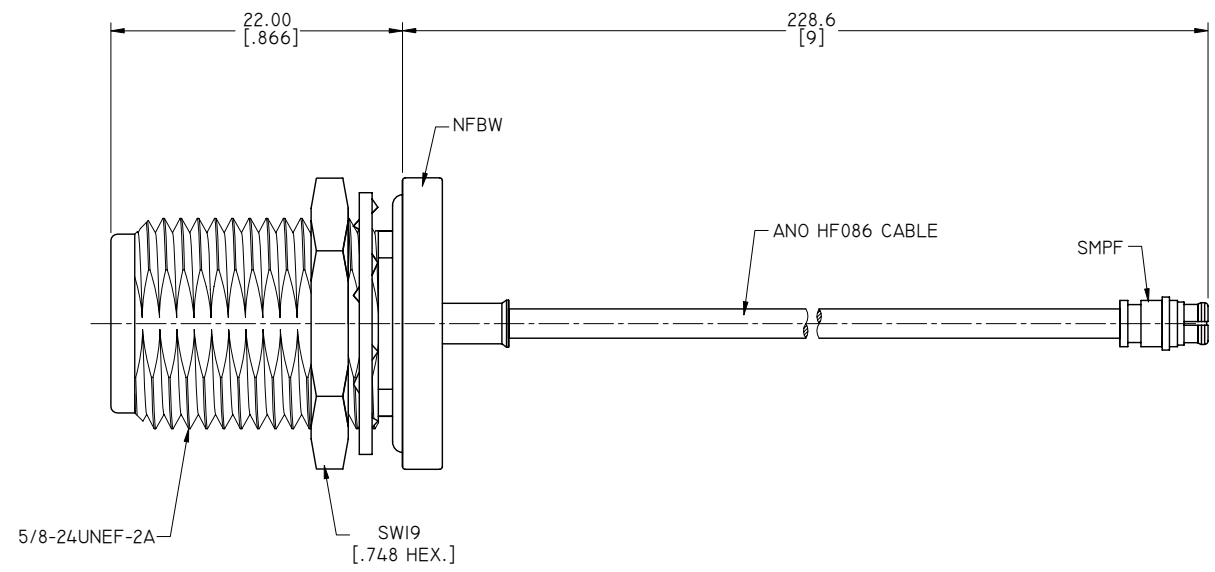
2

1

ELECTRICAL DATA:
 1 IMPEDANCE: 50 OHMS
 2 FREQUENCY RANGE: DC~6 GHZ



RECOMMENDED MOUNTING HOLE



TITLE
 CABLE ASSEMBLY, N STRAIGHT FEMALE BULKHEAD WATERPROOF TO SMP STRAIGHT FEMALE, ANO HF086 CABLE, 9 INCHES

NOTES:
 1. UNLESS OTHERWISE SPECIFIED ALL DIMENSIONS ARE NOMINAL.
 2. ALL SPECIFICATIONS ARE SUBJECT TO CHANGED WITHOUT NOTICE AT ANY TIME.
 3. DIMENSIONS ARE IN MILLINMETERS. DIMENSIONS IN [] ARE IN INCHES
 4. LENGTH TOLERANCE IS ±2%.

VIEW		PART NO.		
		HF086-NFBW-SMPF-9		
SIZE	SCALE	SHEET	REV.	
A3	4:1	1/1	A	

4

3

2

1