

4

3

2

1

ELECTRICAL DATA:  
 1 IMPEDANCE: 50 OHMS  
 2 FREQUENCY RANGE: DC~6 GHZ

D

D

C

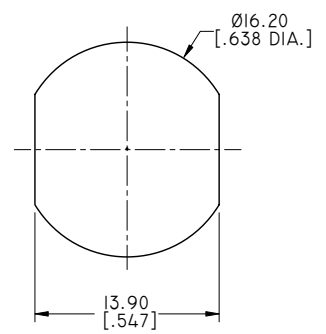
C

B

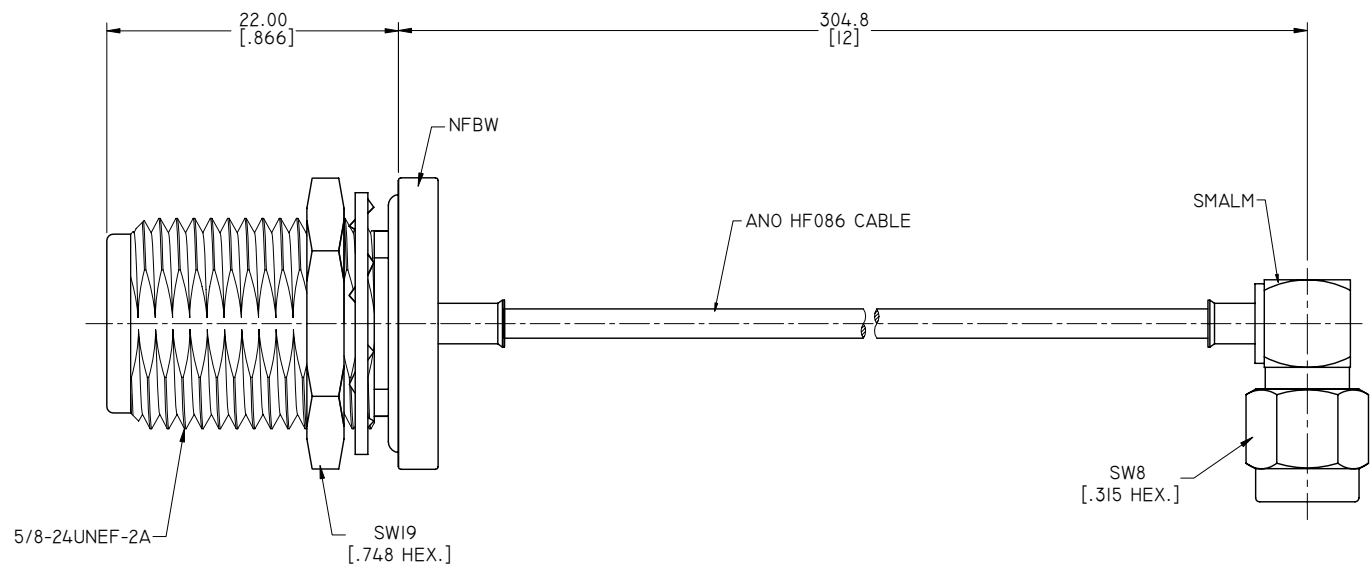
B

A

A





RECOMMENDED MOUNTING HOLE



TITLE  
 CABLE ASSEMBLY, N STRAIGHT FEMALE BULKHEAD WATERPROOF TO SMA RIGHT ANGLE MALE, ANO HF086 CABLE, 12 INCHES

NOTES:  
 1. UNLESS OTHERWISE SPECIFIED ALL DIMENSIONS ARE NOMINAL.  
 2. ALL SPECIFICATIONS ARE SUBJECT TO CHANGED WITHOUT NOTICE AT ANY TIME.  
 3. DIMENSIONS ARE IN MILLIMETERS, DIMENSIONS IN [ ] ARE IN INCHES  
 4. LENGTH TOLERANCE IS ±2%.

VIEW	PART NO. HF086-NFBW-SMALM-I2		
 	SIZE A3	SCALE 4:1	SHEET 1/1
			REV. A

4

3

2

1