

4

3

2

1

ELECTRICAL DATA:

- 1 IMPEDANCE: 50 OHMS
- 2 FREQUENCY RANGE: DC~6 GHz

D

D

C

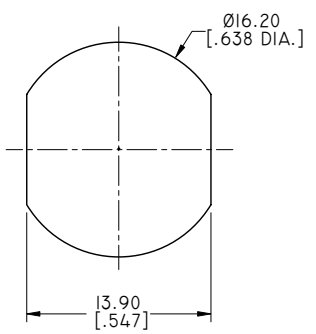
C

B

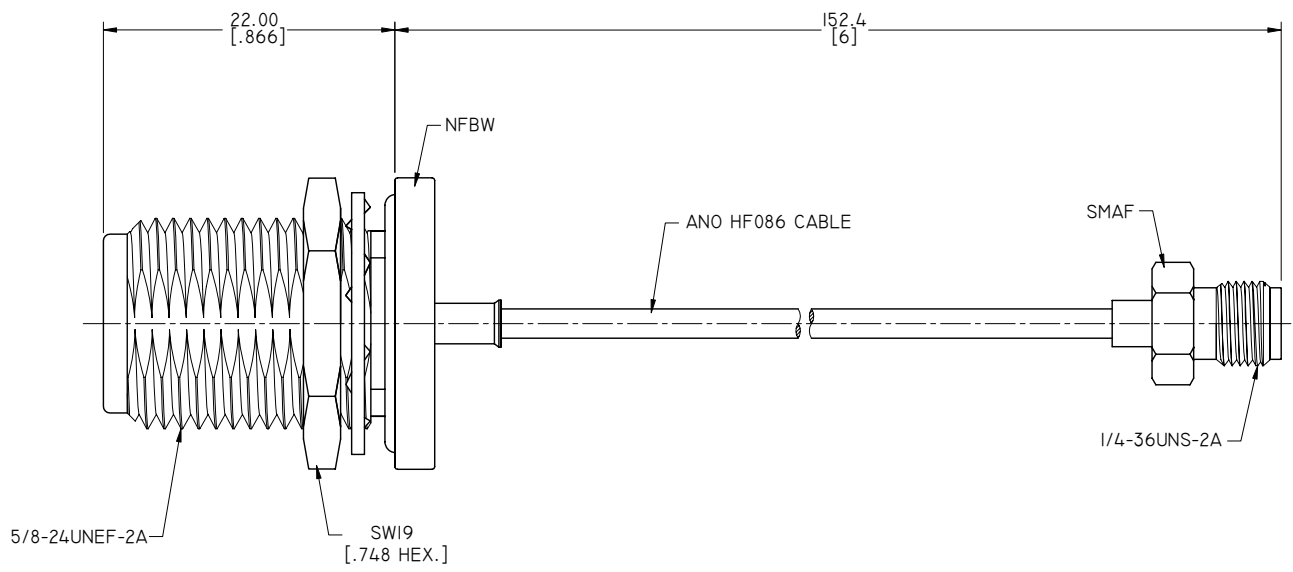
B

A

A

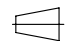



RECOMMENDED MOUNTING HOLE



TITLE
 CABLE ASSEMBLY, N STRAIGHT FEMALE BULKHEAD WATERPROOF TO SMA STRAIGHT FEMALE, ANO HF086 CABLE, 6 INCHES

- NOTES:
 1. UNLESS OTHERWISE SPECIFIED ALL DIMENSIONS ARE NOMINAL.
 2. ALL SPECIFICATIONS ARE SUBJECT TO CHANGED WITHOUT NOTICE AT ANY TIME.
 3. DIMENSIONS ARE IN MILLIMETERS, DIMENSIONS IN [] ARE IN INCHES
 4. LENGTH TOLERANCE IS ±2%.

VIEW	PART NO. HF086-NFBW-SMAF-6			
 	SIZE A3	SCALE 2.5:1	SHEET 1/1	REV. A

4

3

2

1