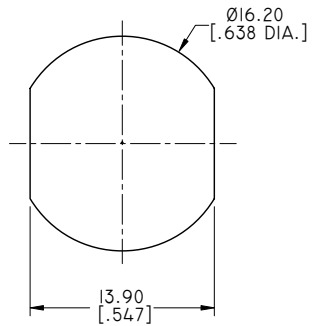
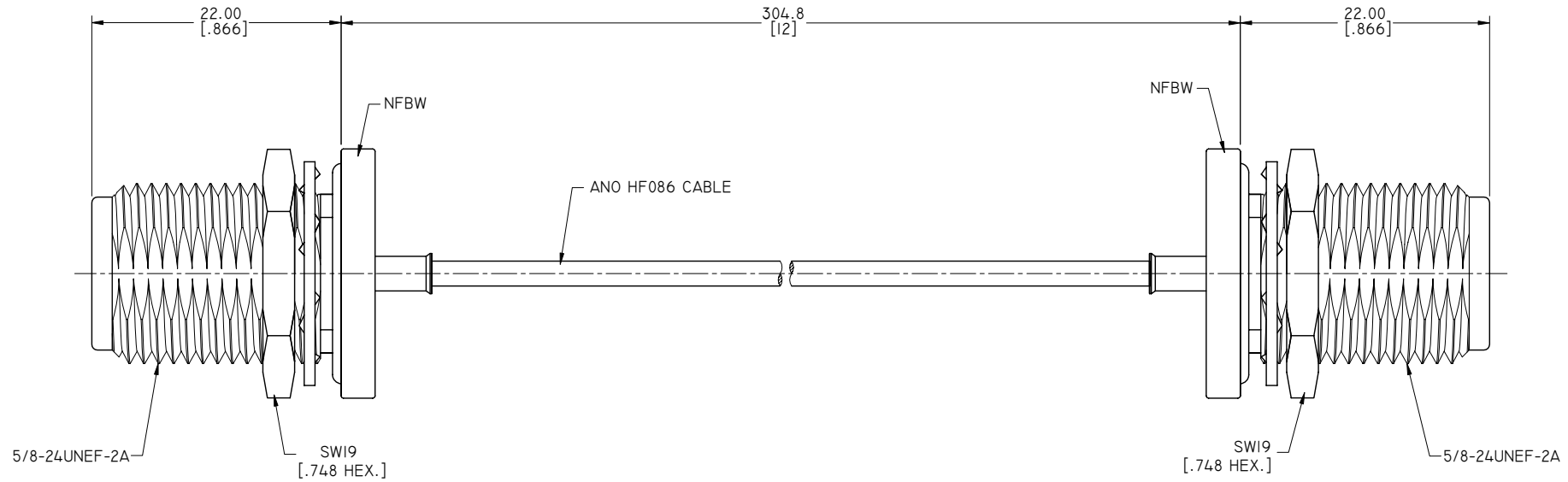


ELECTRICAL DATA:

- 1 IMPEDANCE: 50 OHMS
- 2 FREQUENCY RANGE: DC~6 GHz



RECOMMENDED MOUNTING HOLE

- NOTES:
1. UNLESS OTHERWISE SPECIFIED ALL DIMENSIONS ARE NOMINAL.
  2. ALL SPECIFICATIONS ARE SUBJECT TO CHANGED WITHOUT NOTICE AT ANY TIME.
  3. DIMENSIONS ARE IN MILLIMETERS, DIMENSIONS IN [ ] ARE IN INCHES
  4. LENGTH TOLERANCE IS ±2%.



TITLE  
 CABLE ASSEMBLY, N STRAIGHT FEMALE BULKHEAD WATERPROOF  
 TO N STRAIGHT FEMALE BULKHEAD WATERPROOF  
 ANO HF086 CABLE, 12 INCHES

VIEW	PART NO. HF086-NFBW-NFBW-12			
	SIZE A3	SCALE 2.5:1	SHEET 1/1	REV. A