

4

3

2

1

ELECTRICAL DATA:
 1 IMPEDANCE: 50 OHMS
 2 FREQUENCY RANGE: DC~6 GHZ

D

D

C

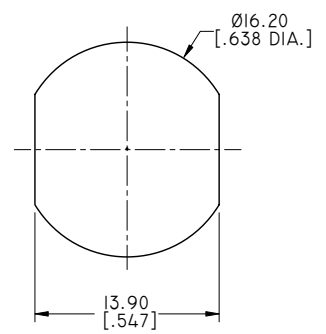
C

B

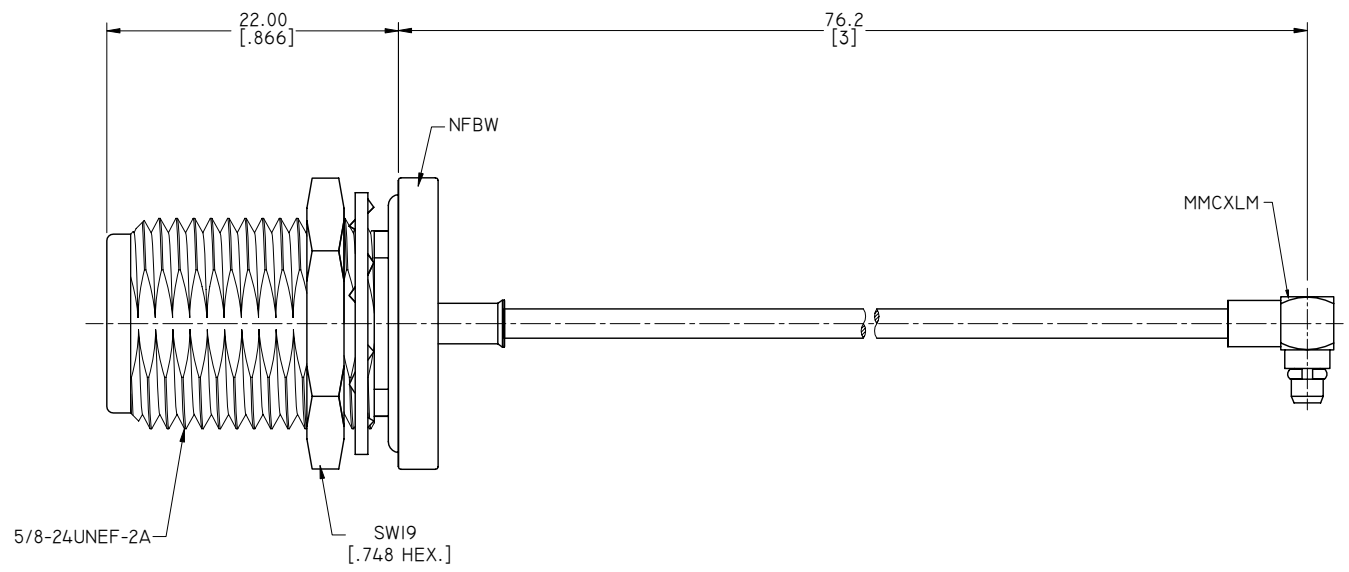
B

A

A





RECOMMENDED MOUNTING HOLE



TITLE
 CABLE ASSEMBLY, N STRAIGHT FEMALE BULKHEAD WATERPROOF
 TO MMCX RIGHT ANGLE MALE, ANO HF086 CABLE, 3 INCHES

NOTES:
 1. UNLESS OTHERWISE SPECIFIED ALL DIMENSIONS ARE NOMINAL.
 2. ALL SPECIFICATIONS ARE SUBJECT TO CHANGED WITHOUT NOTICE AT ANY TIME.
 3. DIMENSIONS ARE IN MILLIMETERS. DIMENSIONS IN [] ARE IN INCHES
 4. LENGTH TOLERANCE IS ±2%.

VIEW	PART NO.		
 	HF086-NFBW-MMCXLM-3		
SIZE	SCALE	SHEET	REV.
A3	4:1	1/1	A

4

3

2

1