

4

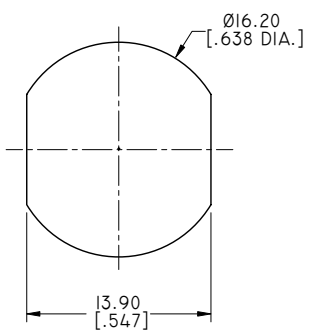
3

2

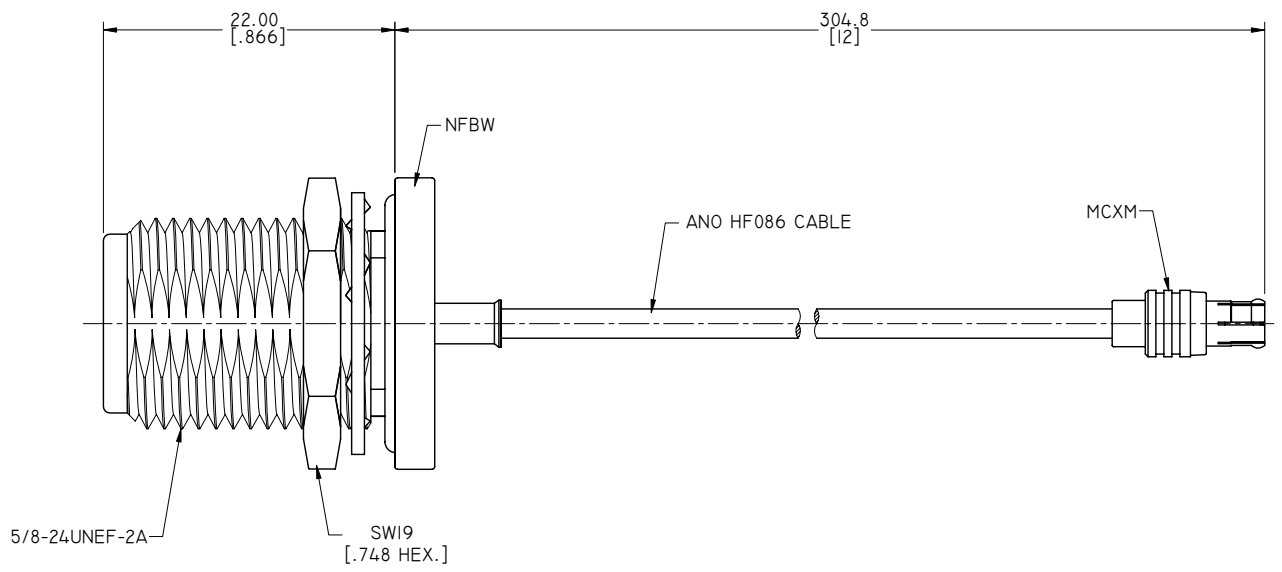
1

ELECTRICAL DATA:

- 1 IMPEDANCE: 50 OHMS
- 2 FREQUENCY RANGE: DC~6 GHZ

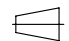



RECOMMENDED MOUNTING HOLE



TITLE
CABLE ASSEMBLY, N STRAIGHT FEMALE BULKHEAD WATERPROOF TO MCX STRAIGHT MALE, ANO HF086 CABLE, 12 INCHES

- NOTES:
- 1. UNLESS OTHERWISE SPECIFIED ALL DIMENSIONS ARE NOMINAL.
 - 2. ALL SPECIFICATIONS ARE SUBJECT TO CHANGED WITHOUT NOTICE AT ANY TIME.
 - 3. DIMENSIONS ARE IN MILLIMETERS. DIMENSIONS IN [] ARE IN INCHES
 - 4. LENGTH TOLERANCE IS ±2%.

VIEW	PART NO.		
 	HF086-NFBW-MCXM-12		
SIZE	SCALE	SHEET	REV.
A3	2.5:1	I/1	A

4

3

2

1