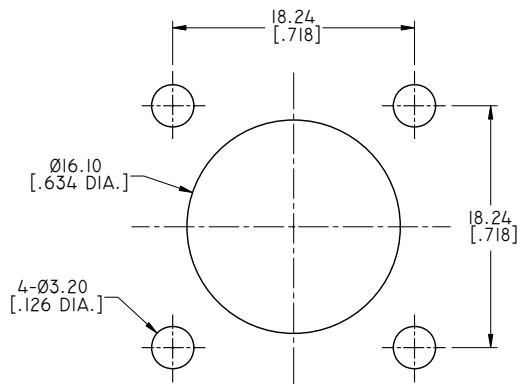
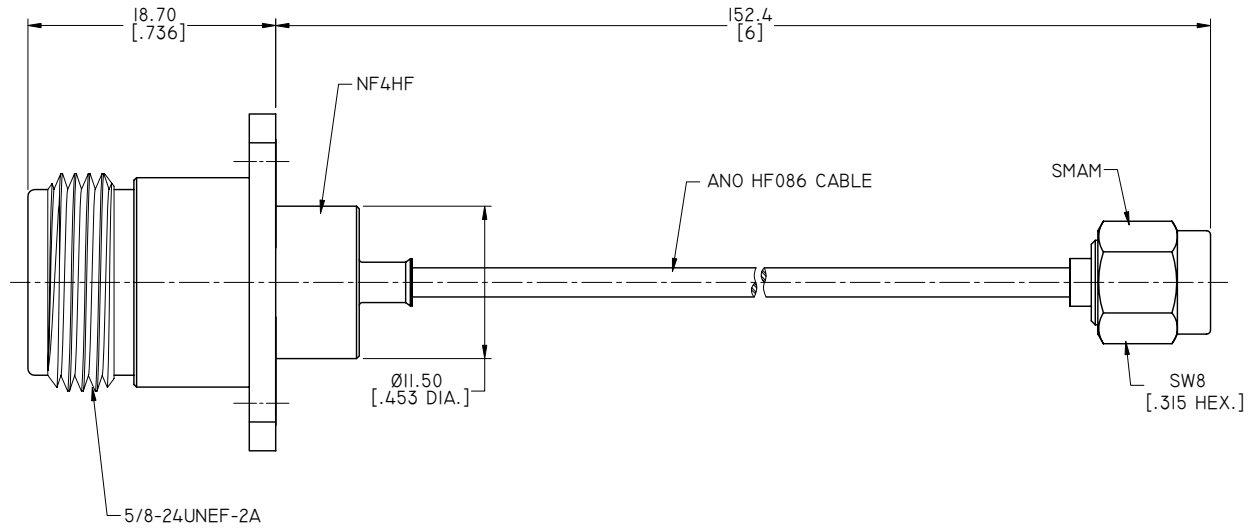
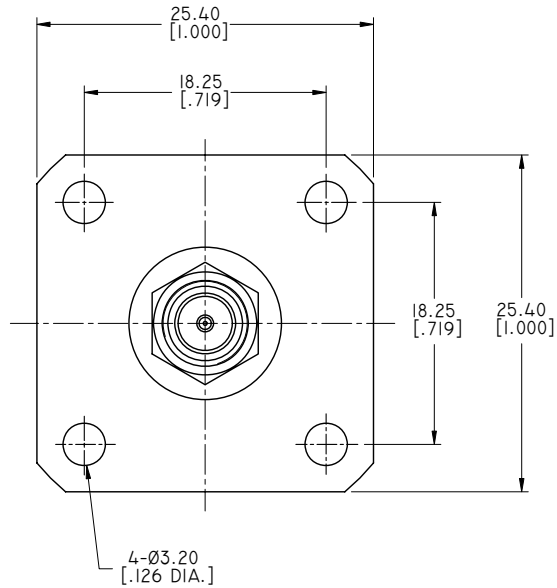


ELECTRICAL DATA:  
 1 IMPEDANCE: 50 OHMS  
 2 FREQUENCY RANGE: DC~6 GHz



RECOMMENDED MOUNTING HOLE

NOTES:  
 1. UNLESS OTHERWISE SPECIFIED ALL DIMENSIONS ARE NOMINAL.  
 2. ALL SPECIFICATIONS ARE SUBJECT TO CHANGED WITHOUT NOTICE AT ANY TIME.  
 3. DIMENSIONS ARE IN MILLIMETERS. DIMENSIONS IN [ ] ARE IN INCHES  
 4. LENGTH TOLERANCE IS ±2%.



TITLE  
 CABLE ASSEMBLY, N STRAIGHT FEMALE 4 HOLE FLANGE MOUNT TO SMA STRAIGHT MALE, ANO HF086 CABLE, 6 INCHES

VIEW 	PART NO. HF086-NF4HF-SMAM-6			
	SIZE A3	SCALE 2.5:1	SHEET 1/1	REV. A