

MATERIAL & FINISH:

SMA F CONNECTOR

- 1 BODY: BRASS, GOLD PLATED
- 2 CENTER CONTACT: BERYLLIUM COPPER ALLOY, GOLD PLATED
- 3 INSULATOR: PTFE
- 4 FASTENING NUT: BRASS, GOLD PLATED
- 5 LOCK WASHER : BERYLLIUM COPPER ALLOY, GOLD PLATED
- 6 O-RING: SILICONE RUBBER

ANO HF047FEP CABLE:

- 1 INNER CONDUCTOR: SILVER PLATED COPPER CLAD STEEL
- 2 DIELECTRIC: PTFE
- 3 OUTER CONDUCTOR: TIN SOAKED COPPER BRAID
- 4 JACKET: FEP

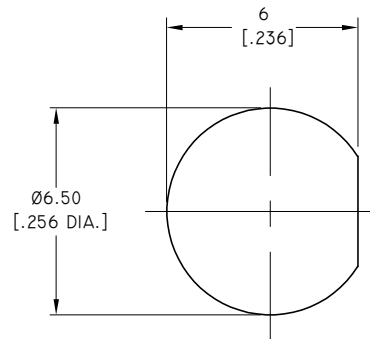
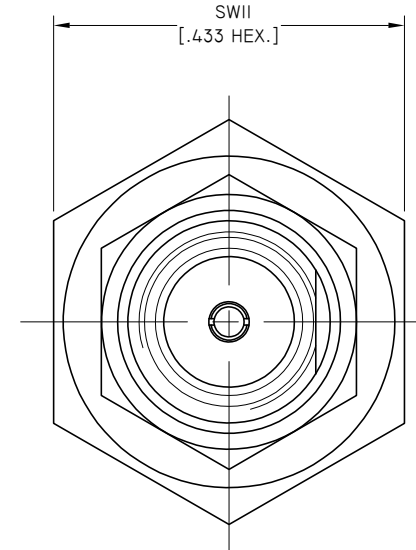
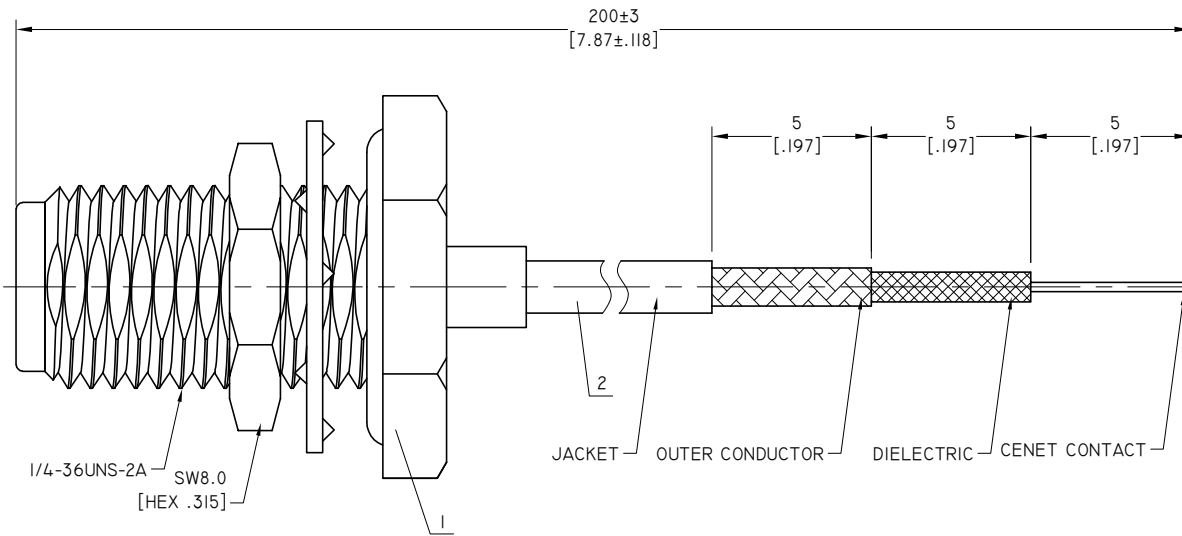
ENVIRONMENTAL DATA:

- 1 TEMPERATURE RANGE: -55°C~+125°C
- 2 2011/65/EU(RoHS) AND 2015/863/(RoHS): COMPLIANT
- 3 1907/2006/EC(REACH): COMPLIANT

ELECTRICAL DATA:

- 1 IMPEDANCE: 50 OHMS
- 2 FREQUENCY RANGE: DC~18 GHZ
- 3 VSWR: 1.35 MAX.

REVISIONS			
REV.	DESCRIPTION	DATE	APPROVED
A	INITIAL RELEASE	08/31/23	J. Q



RECOMMENDED MOUNTING HOLE

SEQUENCE NUMBER	PART NO.	DESCRIPTION	QTY
2	ANO HF047FEP	ANO HF047FEP CABLE	1
1	ANO 2112-1062	SMA STRAIGHT FEMALE BULKHEAD WATERPROOF SOLDER FOR HF047FEP CABLE WITH CAPTIVE CONTACT	1

DRAWN	DATE
W. Y	08/31/23
CHECKED	DATE
X. Y	08/31/23
APPROVED	DATE
J. Q	08/31/23
UNLESS OTHERWISE SPECIFIED DIMENSIONS ARE IN MILLIMETERS, DIMENSIONS IN [] ARE IN INCHES FOR CUSTOMER REFERENCE ONLY UNLESS OTHERWISE SPECIFIED TOLERANCE ARE:	
.XX	±0.13 [.005"]
.X	±0.20 [.008"]
X°	±0.50 [.019"]
X"	±1°
X"	±2°
THESE DRAWINGS AND SPECIFICATIONS ARE THE PROPERTY OF ANOISON ELECTRONICS LTD AND SHOULD NOT BE USED WITHOUT WRITTEN PERMISSION COPYRIGHT © 2023 ANOISON ELECTRONICS LTD	

ANOISON

TITLE
PIGTAIL TEST PROBE CABLE SMA FEMALE BULKHEAD WATERPROOF TO PRE-TRIMMED LEAD FOR HF047FEP CABLE

VIEW

PART NO.
HF047FEP-SMAFBW-200MM

SIZE	SCALE	SHEET	REV.
A3	4:1	1/1	A