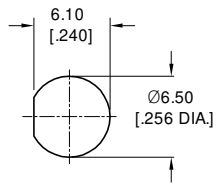
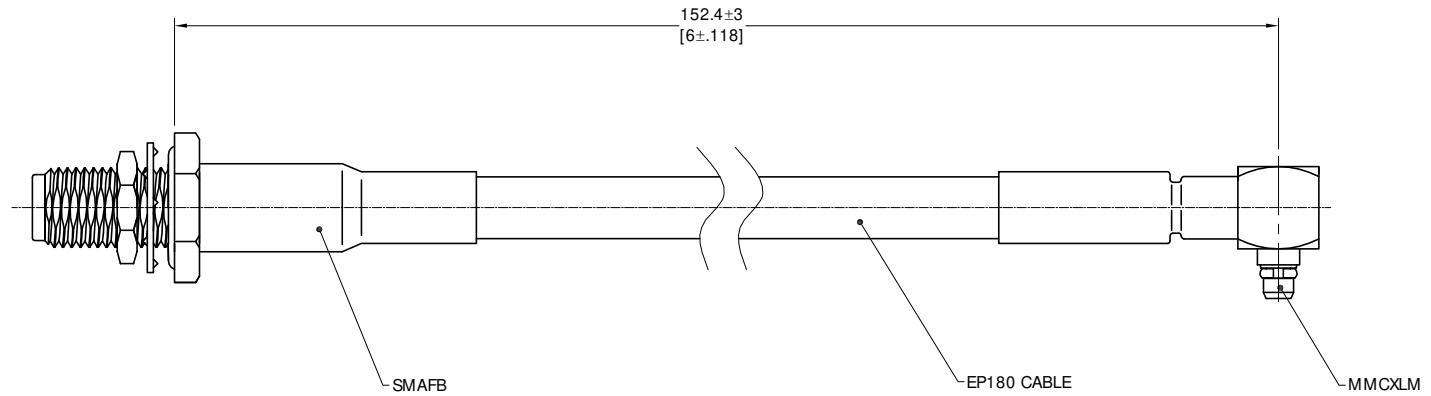


**ELECTRICAL DATA:**

- 1 IMPEDANCE: 50 Ω
- 2 FREQUENCY RANGE: DC-2 GHz
- 3 VSWR: 1.30 MAX
- 4 INSERTION LOSS: 0.8 dB MAX



RECOMMENDED MOUNTING HOLE



TITLE  
CABLE ASSEMBLY, SMA STRAIGHT BULKHEAD FEMALE TO  
MMCX R/A MALE, EP180 CBALE, 6 INCHES

NOTES:  
1. UNLESS OTHERWISE SPECIFIED ALL DIMENSIONS ARE NOMINAL.  
2. ALL SPECIFICATIONS ARE SUBJECT TO CHANGED WITHOUT NOTICE AT ANY TIME  
3. DIMENSIONS ARE IN MILLIMETERS, DIMENSIONS IN [ ] ARE IN INCHES  
4. LENGTH TOLERANCE IS ±2%.

VIEW



PART NO.

EP180-SMAFB-MMCXLM-6

SIZE  
A3

SCALE  
2.5:1

SHEET  
1/1

REV.  
A