

4

5

2

1

ELECTRICAL DATA

FREQUENCY RANGE	1-18 GHz
IMPEDANCE: 50 Ω	50 Ω
VSWR	≤ 1.50
INSERTION LOSS	≤ 1.2 dB (Excluding Coupled Loss 0.04dB)
COUPLING SENSITIVITY	≤ ± 1 dB
COUPLING FACTOR	20 dB ± 1 dB
DIRECTIVITY	≥ 12 dB
POWER HANDLING	Incident: 50 W MAX. Reflected: 5 W MAX.

MATERIAL AND FINISH

CONNECTOR(N FEMALE)	STAINLESS STEEL, PASSIVATED
HOUSING	6061 ALUMINUM ALLOY, PAINTED, BLACK COLOR
DIMENSIONS	84X28X23 mm

ENVIRONMENTAL DATA

TEMPERATURE RANGE	-30°C TO +70°C
RoHS COMPLIANT	2011/65/EU(RoHS) AND 2015/863/(RoHS)
REACH COMPLIANT	REACH SVHC247: COMPLIANT
NET WEIGHT	0.207 Kg

REVISIONS

REV.	DESCRIPTION	DATE	APPROVED
A	INITIAL RELEASE	08/22/25	J. Q

D

D

C

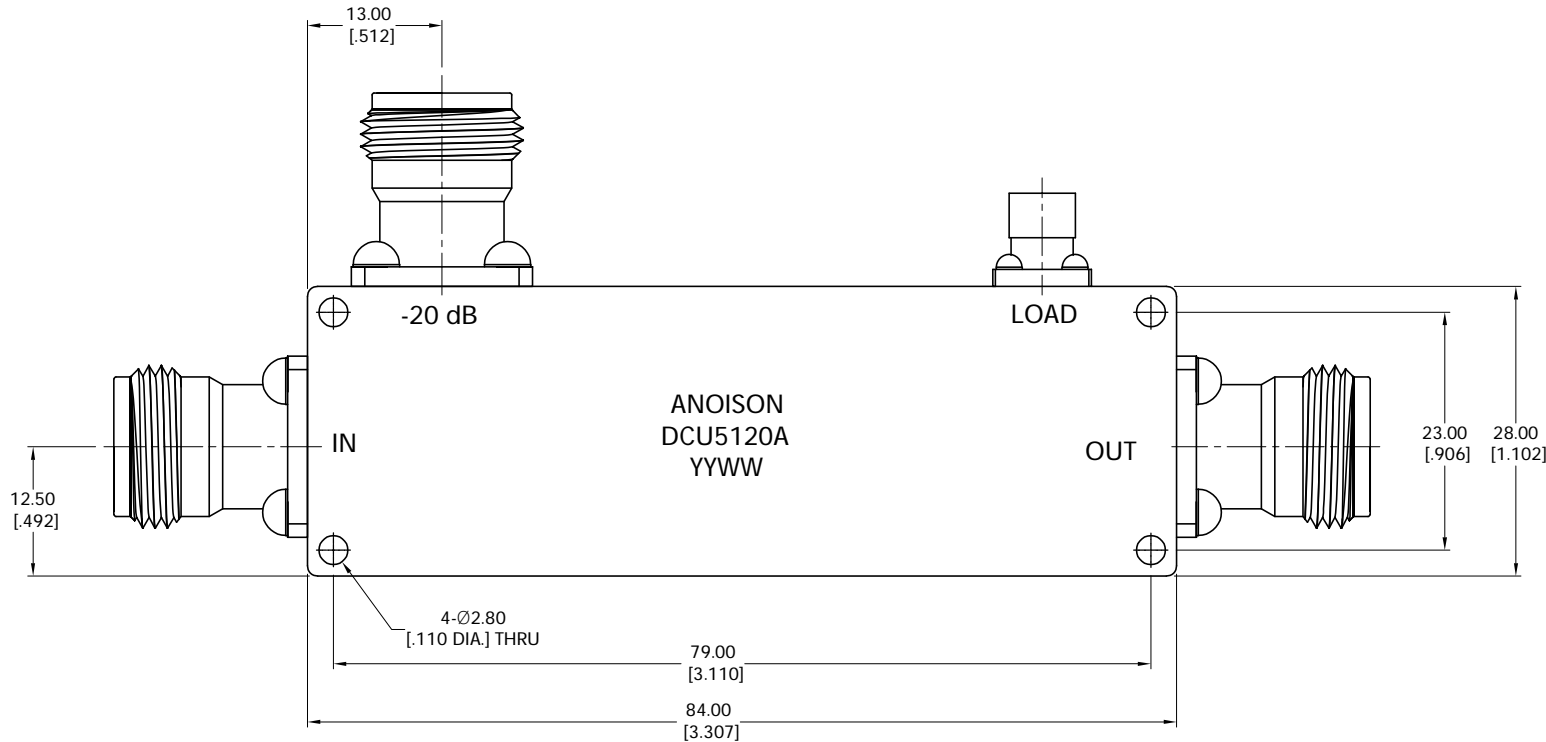
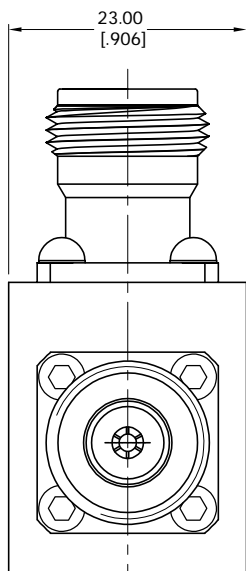
C

B

B

A

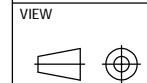
A



DRAWN	X. Y	DATE	08/22/25
CHECKED	W. Y	DATE	08/22/25
APPROVED	J. Q	DATE	08/22/25
UNLESS OTHERWISE SPECIFIED DIMENSIONS ARE IN MILLIMETERS. DIMENSIONS IN [ ] ARE IN INCHES FOR CUSTOMER REFERENCE ONLY UNLESS OTHERWISE SPECIFIED TOLERANCE ARE:		THESE DRAWINGS AND SPECIFICATIONS ARE THE PROPERTY OF ANOISON ELECTRONICS LTD AND SHOULD NOT BE USED WITHOUT WRITTEN PERMISSION COPYRIGHT © 2025 ANOISON ELECTRONICS LTD	
.XX	±0.13 [0.005"]		
.X	±0.30 [0.118"]		
X	±0.50 [0.019"]		
.X°	±1°		
X°	±2°		



TITLE  
1-18 GHz N FEMALE 20 dB DIRECTIONAL COUPLER



PART NO. DCU5120A			
SIZE A3	SCALE 2:1	SHEET 1/1	REV. A

4

3

2

1