

4 3 2 1

MATERIAL & FINISH:

- 1 BODY: STAINLESS STEEL, PASSIVATED
- 2 CENTER CONTACT: BERYLLIUM COPPER ALLOY, GOLD PLATED
- 3 INSULATOR: CPS

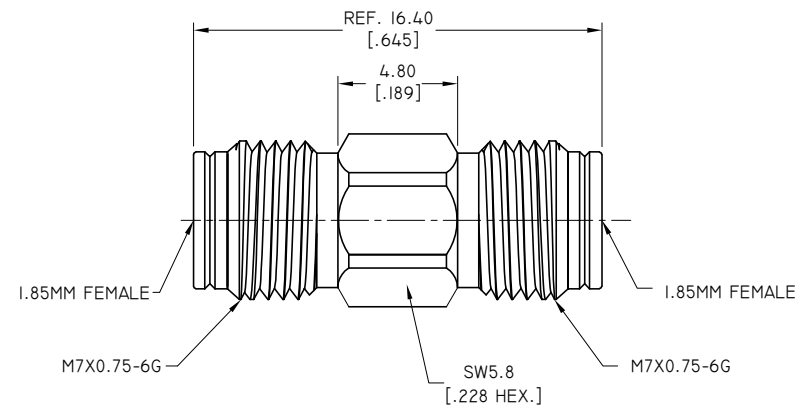
ELECTRICAL DATA:

- 1 IMPEDANCE: 50 Ω
- 2 FREQUENCY RANGE: 0.01GHZ~67GHZ
- 3 VSWR: 1.50 MAX.
- 4 INSERTION LOSS: 0.10X√F (GHZ) dB MAX.
- 5 AVERAGE POWER: 1.5W MAX.
- 6 DC VOLTAGE: 60V MAX.

ENVIRONMENTAL DATA:

- 1 TEMPERATURE RANGE: -55°C~+85°C
- 2 2011/65/EU(RoHS) AND 2015/863/(RoHS): COMPLIANT
- 3 1907/2006/EC(REACH) AND 1999/45/EC(REACH): COMPLIANT

REVISIONS			
REV.	DESCRIPTION	DATE	APPROVED
A	INITIAL RELEASE	10/24/23	J. Q



DRAWN	P. C	DATE	10/24/23
CHECKED	X. Y	DATE	10/24/23
APPROVED	J. Q	DATE	10/24/23
UNLESS OTHERWISE SPECIFIED DIMENSIONS ARE IN MILLIMETERS, DIMENSIONS IN [] ARE IN INCHES FOR CUSTOMER REFERENCE ONLY UNLESS OTHERWISE SPECIFIED TOLERANCE ARE:		THESE DRAWINGS AND SPECIFICATIONS ARE THE PROPERTY OF ANOISON ELECTRONICS LTD AND SHOULD NOT BE USED WITHOUT WRITTEN PERMISSION COPYRIGHT © 2023 ANOISON ELECTRONICS LTD	
.XX	±0.13 [.005"]		
.X	±0.25 [.010"]		
X	±0.50 [.019"]		
.X°	±1°		
X°	±2°		



TITLE
DC BLOCK ON INNER CONDUCTOR 1.85MM FEMALE TO 1.85MM FEMALE OPERATING FROM 0.01GHZ TO 67GHZ

VIEW	PART NO. D62-A2		
	SIZE A3	SCALE 5:1	SHEET 1/1
		REV. A	

4 3 2 1