

4

3

2

1

MATERIAL & FINISH:

- 1 BODY: STAINLESS STEEL, PASSIVATED
- 2 CENTER CONTACT: BERYLLIUM COPPER ALLOY, GOLD PLATED
- 3 COUPLING NUT: STAINLESS STEEL, PASSIVATED
- 4 INSULATOR: PEI

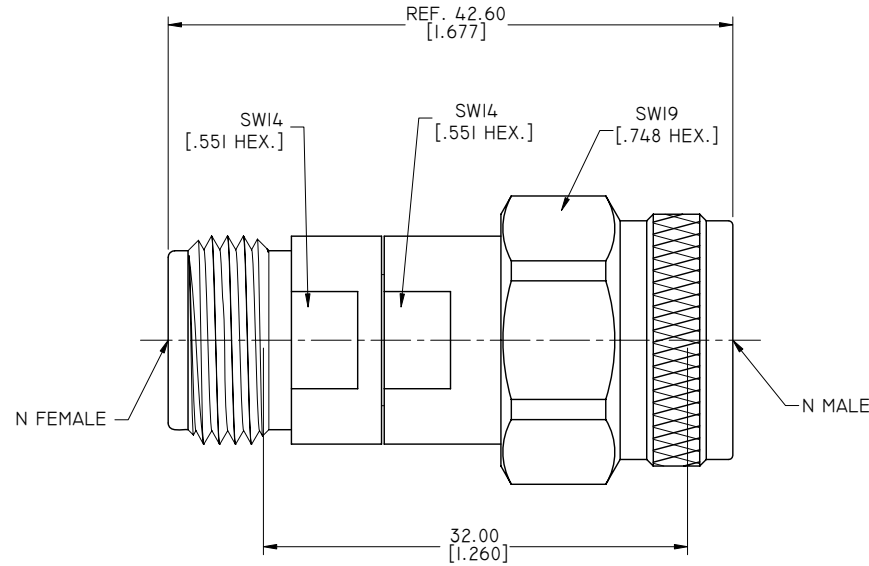
ELECTRICAL DATA:

- 1 IMPEDANCE: 50 Ω
- 2 FREQUENCY RANGE: 5MHZ~18GHZ
- 3 VSWR: 1.25 MAX.
- 4 INSERTION LOSS: 0.60 DB MAX.
- 5 WORKING VOLTAGE: 50 VOLTS

ENVIRONMENTAL DATA:

- 1 TEMPERATURE RANGE: -55°C~+125°C
- 2 2011/65/EU(RoHS) AND 2015/863/(RoHS): COMPLIANT
- 3 1907/2006/EC(REACH) AND 1999/45/EC(REACH): COMPLIANT

REVISIONS			
REV.	DESCRIPTION	DATE	APPROVED
A	INITIAL RELEASE	04/17/19	J. QU
B	PART NO. D5151-A2 CHANGED TO D51-A1	09/03/19	J. QU



DRAWN	X. B. YANG	DATE	09/03/19
CHECKED	W. YANG	DATE	09/03/19
APPROVED	J. QU	DATE	09/03/19
UNLESS OTHERWISE SPECIFIED DIMENSIONS ARE IN MILLIMETERS, DIMENSIONS IN [] ARE IN INCHES FOR CUSTOMER REFERENCE ONLY UNLESS OTHERWISE SPECIFIED TOLERANCE ARE:		THESE DRAWINGS AND SPECIFICATIONS ARE THE PROPERTY OF ANOISON ELECTRONICS LTD AND SHOULD NOT BE USED WITHOUT WRITTEN PERMISSION COPYRIGHT © 2019 ANOISON ELECTRONICS LTD	
.XX	±0.13 [.005"]		
.X	±0.25 [.010"]		
X	±0.50 [.019"]		
.X°	±1°		
X°	±2°		



TITLE			
DC BLOCK ON INNER CONDUCTOR N MALE TO N FEMALE OPERATING FROM 5MHZ TO 18GHZ			
VIEW	PART NO. D51-A1		
	SIZE A3	SCALE 2.5:1	SHEET 1/1
			REV. B

4

3

2

1