

4 3 2 1

**MATERIAL & FINISH:**

- 1 BODY: STAINLESS STEEL, PASSIVATED
- 2 CENTER CONTACT: BERYLLIUM COPPER ALLOY, GOLD PLATED
- 3 INSULATOR: PEI

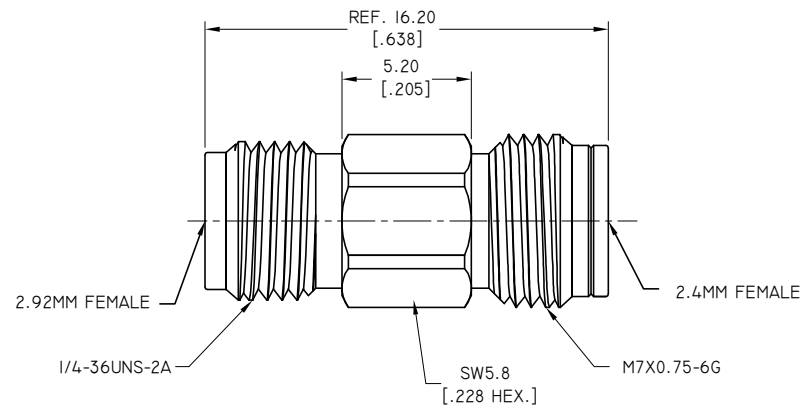
**ELECTRICAL DATA:**

- 1 IMPEDANCE: 50 Ω
- 2 FREQUENCY RANGE: 0.01GHZ-40GHZ
- 3 VSWR: 1.35 MAX.
- 4 INSERTION LOSS: 0.08X √F (GHZ)
- 5 AVERAGE POWER: 3W MAX.
- 6 DC VOLTAGE: 60V MAX.

**ENVIRONMENTAL DATA:**

- 1 TEMPERATURE RANGE: -55 °C~+125 °C
- 2 2011/65/EU(RoHS) AND 2015/863/(RoHS): COMPLIANT
- 3 1999/2006/EC(REACH) AND 1999/45/EC(REACH): COMPLIANT

REVISIONS			
REV.	DESCRIPTION	DATE	APPROVED
A	INITIAL RELEASE	04/21/25	J. Q



DRAWN	P. C	DATE	04/21/25
CHECKED	X. Y	DATE	04/21/25
APPROVED	J. Q	DATE	04/21/25
UNLESS OTHERWISE SPECIFIED DIMENSIONS ARE IN MILLIMETERS, DIMENSIONS IN [ ] ARE IN INCHES FOR CUSTOMER REFERENCE ONLY UNLESS OTHERWISE SPECIFIED TOLERANCE ARE:		THESE DRAWINGS AND SPECIFICATIONS ARE THE PROPERTY OF ANOISON ELECTRONICS LTD AND SHOULD NOT BE USED WITHOUT WRITTEN PERMISSION COPYRIGHT © 2025 ANOISON ELECTRONICS LTD	
.XX	±0.13 [.005"]		
.X	±0.25 [.010"]		
X	±0.50 [.019"]		
.X°	±1°		
X°	±2°		



TITLE			
DC BLOCK ON INNER CONDUCTOR 2.92MM FEMALE TO 2.4MM FEMALE OPERATING FROM 0.01GHZ TO 40GHZ			
VIEW	PART NO. D49-BI		
	SIZE A3	SCALE 5:1	SHEET 1/1
			REV. A

4 3 2 1