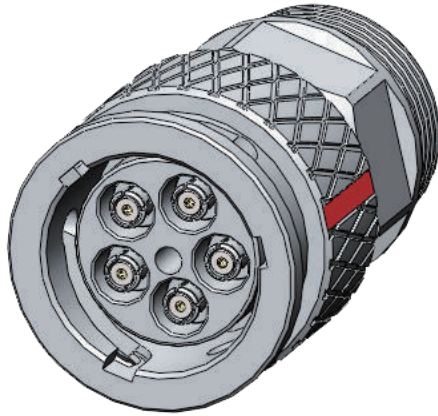


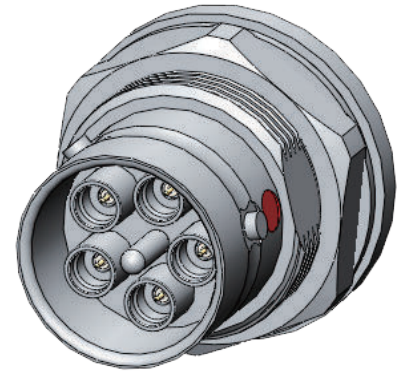
Compact Multi-Coax Quick-Turn Connector

PA-5





Plug



Jack (Receptacle)

Features & Benefits:

- Up to 5 channels in one.
- Compact size (fit 1in flange).
- Quick-turn interface.
- Dual-security (Position Code + Position Post) assures correct coax positions.
- Working frequency up to 40GHz.

Technical Data:

Electrical Data	
Impedance	50 Ohms
Cut-off Frequency	40 GHz
VSWR TYP. (Cable Assembly)	1.15 Max. @ DC to 6 GHz; 1.25 Max. @ 6 GHz to 10 GHz; 1.35 Max. @ 10 GHz to 20 GHz
Screening Effectiveness	≥ -90 dB @ DC to 3 GHz; ≥ 70 dB @ 3-6GHz
Isolation	≥ 90 dB @ DC to 6 GHz;
PIM*	< -150dBc (-156dBc TYP.) @ 900MHz, 2x40dBm
Environmental Data	
Temperature Range	-55 °C to +125 °C
IP Grade	IP 68 (@1 m, 24 hours)
Mechanical Data	
Mating cycles	≥ 100
Locking Mechanism	Quick-Turn (Bayonet)

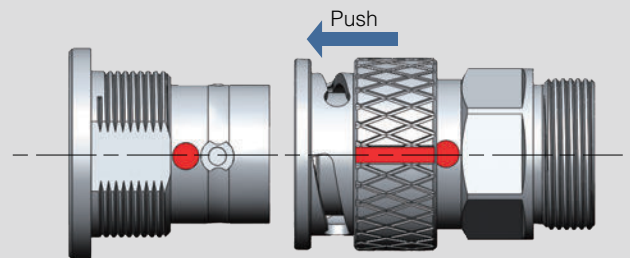
*Low PIM is an option.

Applications:

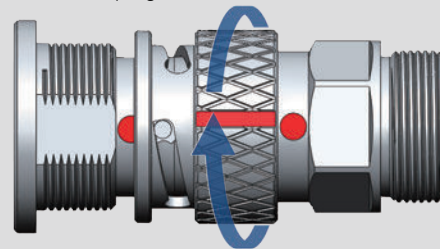
- Small Cell and MIMO
- DAS/In-building
- Antennas, radios and filter output
- Outdoor and Indoor

Locking Mechanism Demo

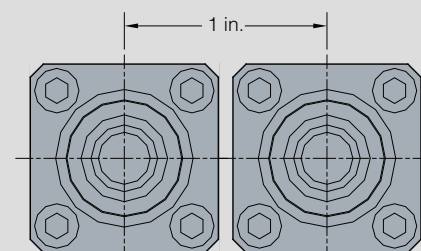
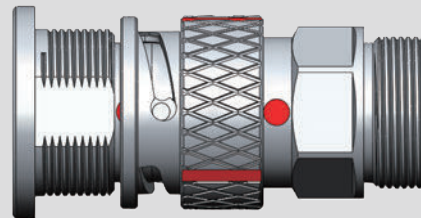
- 1 Align the 2 Red Dots and 1 Red Line
Align the 3 bayonets into the slots of coupling nut
Push Plug into Jack



- 2 Rotate the coupling nut



- 3 Locked upon a "click"



Minimum Installation Density