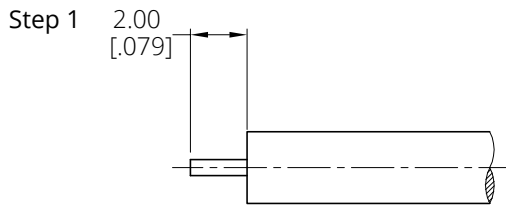
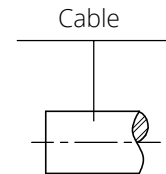
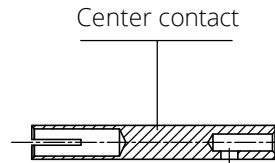
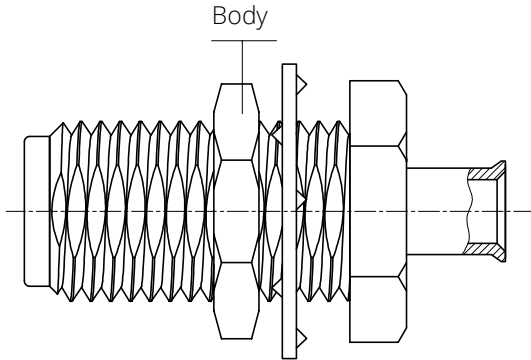
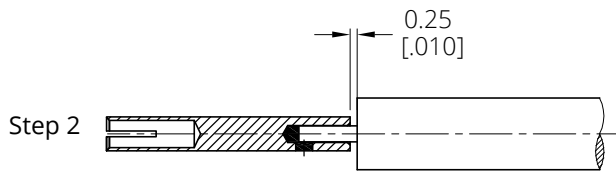


P/N: ANO 2112-1425

Description: SMA straight female solder for .086 Cable

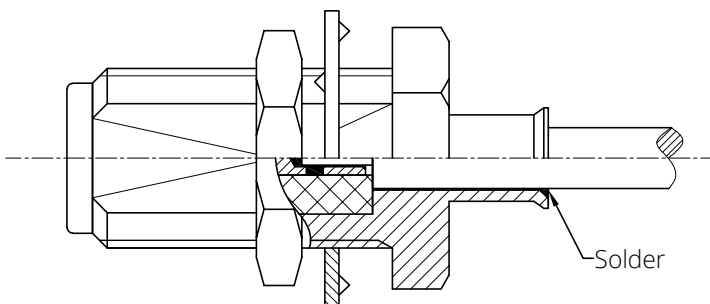


Step 1
a. Strip the cable according to the dimensions as shown.



Step 2
Solder the center contact onto the conductor.
Guaranteed size 0.25.

Step 3



Step 4
a. Push cable assembly into body until it bottoms as shown.
b. Solder the body onto the cable.