

REVISIONS			
REV.	DESCRIPTION	DATE	APPROVED
A	INITIAL RELEASE	05/11/22	J. QU

MATERIAL & FINISH:

SMA CONNECTOR:

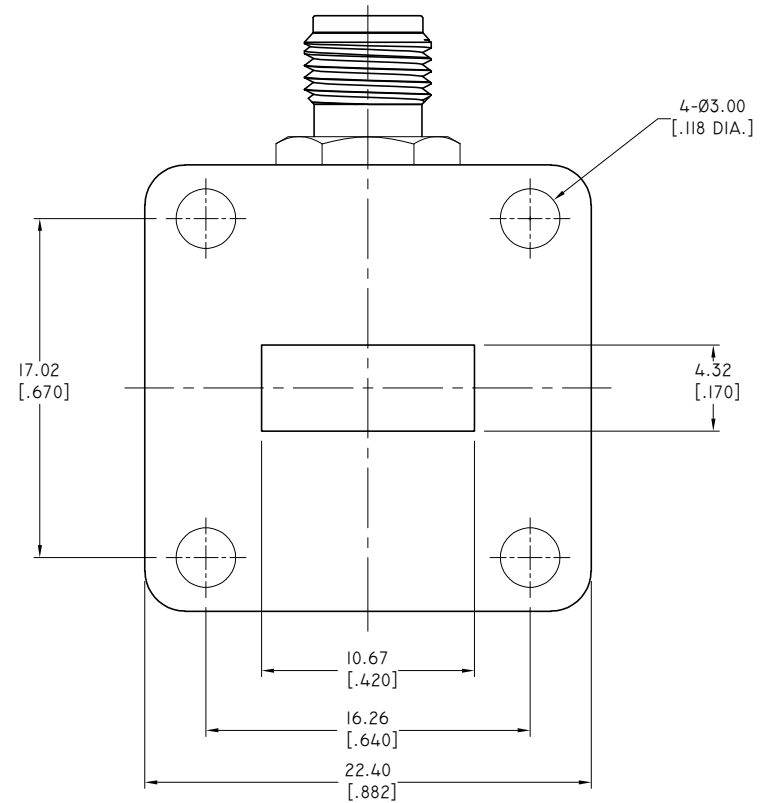
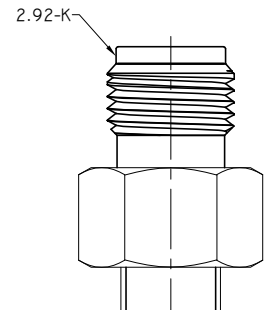
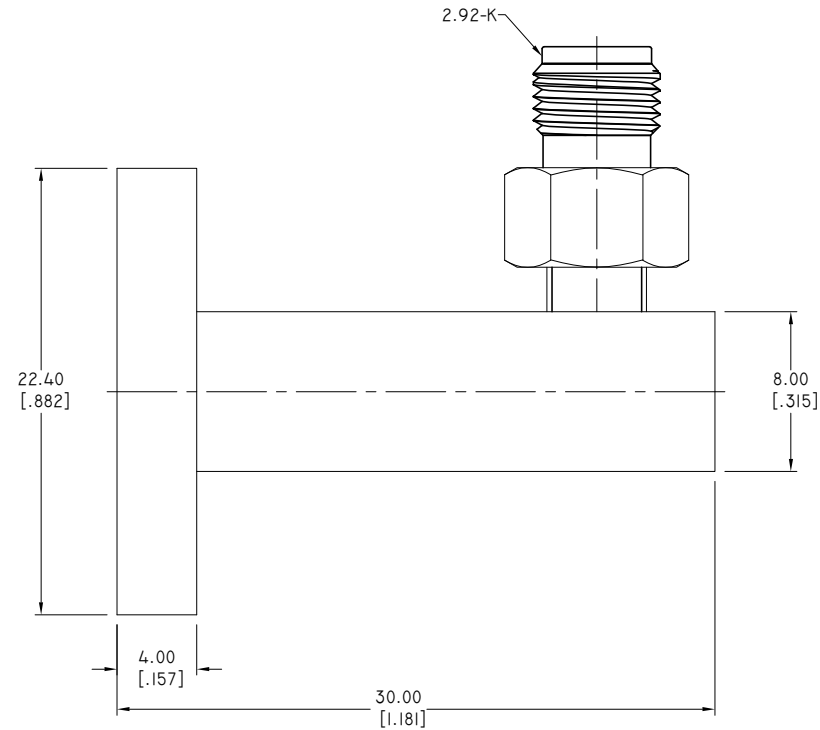
- 1 BODY: BRASS, GOLD PLATED
- 2 CENTER CONTACT: BERYLLIUM COPPER, GOLD PLATED
- 3 INSULATOR: PEI

ELECTRICAL DATA:

- 1 IMPEDANCE: 50 Ω
- 2 FREQUENCY RANGE: 17.6~26.7 GHz
- 3 VSWR: 1.25 MAX.
- 4 INSERTION LOSS: 0.3 DB MAX.

WR42:

- 1 CAVITY: BRASS, GOLD PLATED + PAINTING (BLACK)



DRAWN	W. YANG	DATE	05/11/22
CHECKED	L. YANG	DATE	05/11/22
APPROVED	J. QU	DATE	05/11/22
UNLESS OTHERWISE SPECIFIED DIMENSIONS ARE IN MILLIMETERS, DIMENSIONS IN [] ARE IN INCHES FOR CUSTOMER REFERENCE ONLY UNLESS OTHERWISE SPECIFIED TOLERANCE ARE:		THESE DRAWINGS AND SPECIFICATIONS ARE THE PROPERTY OF ANOISON ELECTRONICS LTD AND SHOULD NOT BE USED WITHOUT WRITTEN PERMISSION COPYRIGHT © 2022 ANOISON ELECTRONICS LTD	
.XX	±0.13 [.005"]		
.X	±0.25 [.010"]		
X	±0.50 [.019"]		
.X*	±1°		
X*	±2°		



TITLE
WR42 WAVEGUIDE TO COAXIAL 2.92MM
RIGHT ANGLE ADAPTERS

VIEW	PART NO. ANO WR42-292-02			
	SIZE A3	SCALE 5:1	SHEET 1/1	REV. A