

4 3 2 1

REVISIONS			
REV.	DESCRIPTION	DATE	APPROVED
A	INITIAL RELEASE	04/18/22	J. Q
B	DRAWING CHANGED	01/03/24	J. Q
C	8.82 WAS 6.00, 19.70 WAS 18.50	02/26/24	J. Q

MATERIAL & FINISH:

SMA CONNECTOR:

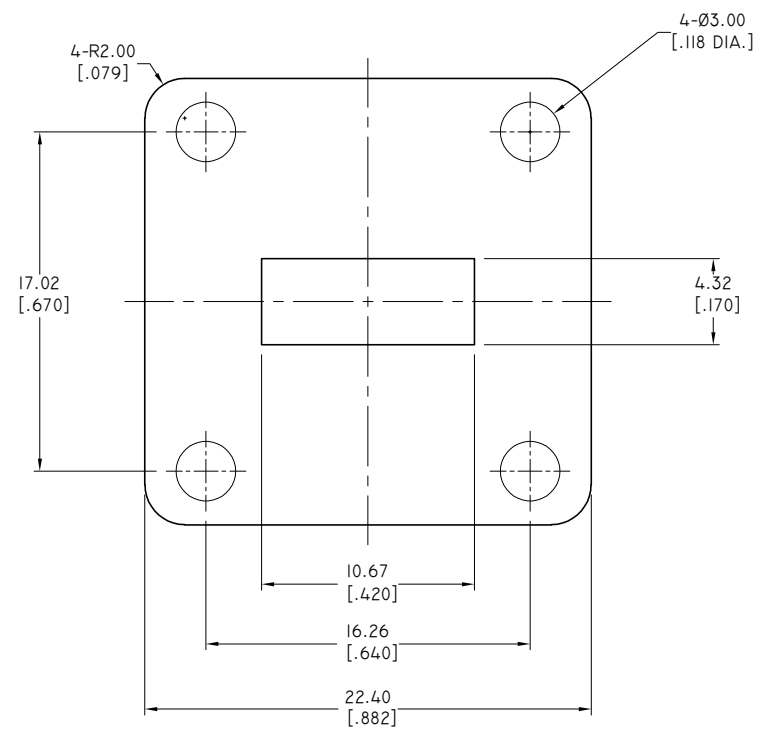
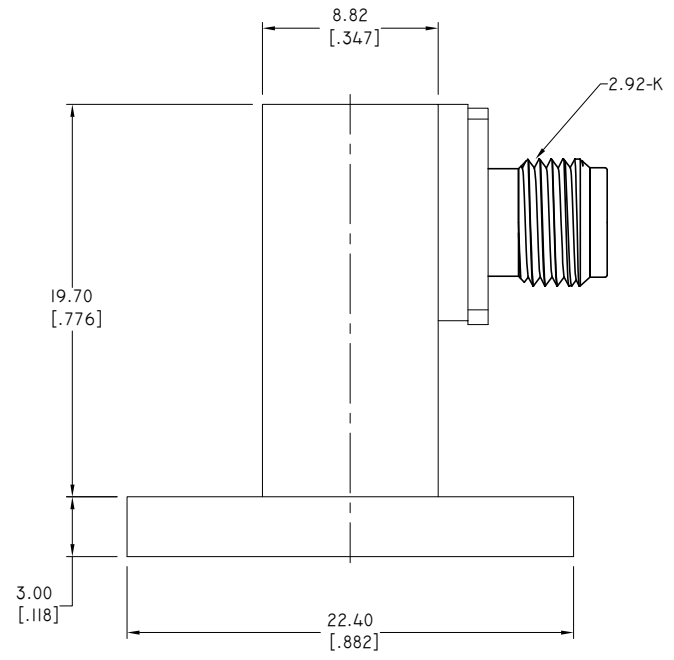
- 1 BODY: BRASS, GOLD PLATED
- 2 CENTER CONTACT: BERYLLIUM COPPER, GOLD PLATED
- 3 INSULATOR: PEI

ELECTRICAL DATA:

- 1 IMPEDANCE: 50 Ω
- 2 FREQUENCY RANGE: 17.6~26.7 GHz
- 3 VSWR: 1.25 MAX.

WR42:

- 1 CAVITY: BRASS, GOLD PLATED



DRAWN	W. Y	DATE	02/26/24
CHECKED	L. Y	DATE	02/26/24
APPROVED	J. Q	DATE	02/26/24
UNLESS OTHERWISE SPECIFIED DIMENSIONS ARE IN MILLIMETERS, DIMENSIONS IN [] ARE IN INCHES FOR CUSTOMER REFERENCE ONLY UNLESS OTHERWISE SPECIFIED TOLERANCE ARE:		THESE DRAWINGS AND SPECIFICATIONS ARE THE PROPERTY OF ANOISON ELECTRONICS LTD AND SHOULD NOT BE USED WITHOUT WRITTEN PERMISSION COPYRIGHT © 2024 ANOISON ELECTRONICS LTD	
.XX	±0.13 [.005"]		
.X	±0.25 [.010"]		
X	±0.50 [.019"]		
X*	±1°		
X**	±2°		



TITLE			
WR42 WAVEGUIDE TO COAXIAL 2.92MM RIGHT ANGLE ADAPTERS			
VIEW	PART NO.		
	ANO WR42-292-01		
SIZE	SCALE	SHEET	REV.
A3	5:1	1/1	B

4 3 2 1