

4

3

2

1

MATERIAL & FINISH:

2.92 MM CONNECTOR:

- 1 BODY: BRASS, GOLD PLATED
- 2 CENTER CONTACT: BERYLLIUM COPPER, GOLD PLATED
- 3 INSULATOR: PEI

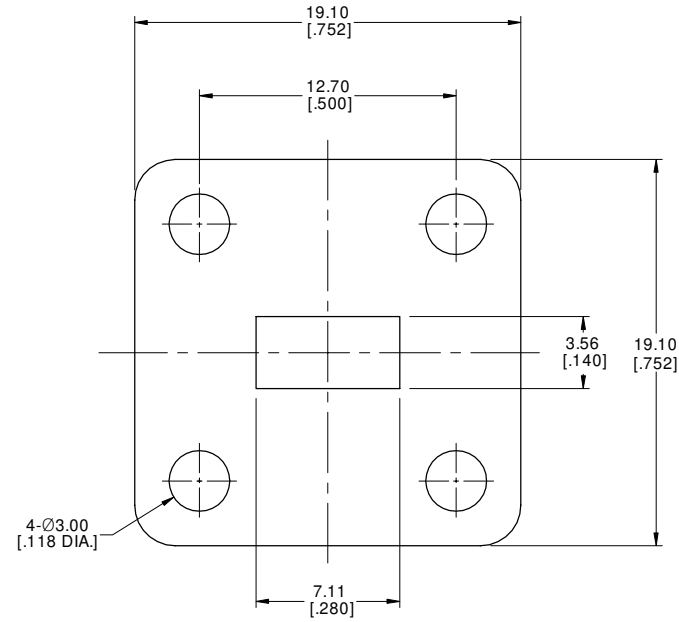
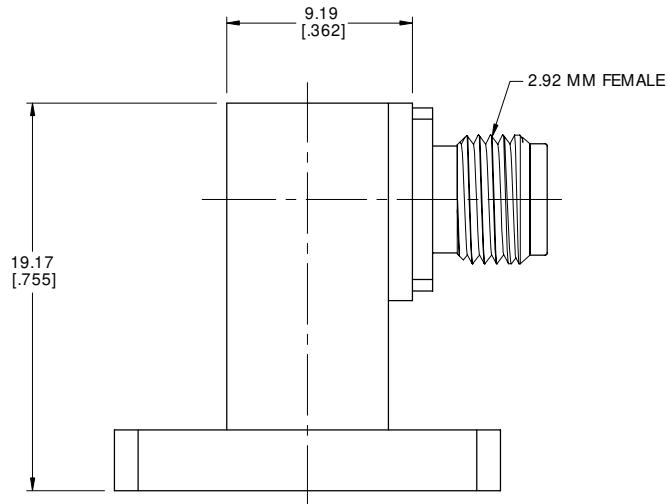
ELECTRICAL DATA:

- 1 IMPEDANCE: 50 Ω
- 2 FREQUENCY RANGE: 26.5 GHz~40 GHz
- 3 VSWR: 1.25 MAX.
- 4 INSERTION LOSS: 0.25 dB MAX.

W28:

- 1 CAVITY: BRASS, GOLD PLATED

REVISIONS			
REV.	DESCRIPTION	DATE	APPROVED
A	INITIAL RELEASE	02/10/22	J Q
B	OUTLINE DRAWING CHANGED	05/14/24	J Q
C	INSERTION LOSS: 0.5 dB MAX. ADDED	11/19/24	J Q



DRAWN	X. Y	DATE	11/19/24					
CHECKED	W. Y	DATE	11/19/24					
APPROVED	J Q	DATE	11/19/24					
UNLESS OTHERWISE SPECIFIED DIMENSIONS ARE IN MILLIMETERS, DIMENSIONS IN [] ARE IN INCHES FOR CUSTOMER REFERENCE ONLY UNLESS OTHERWISE SPECIFIED TOLERANCE ARE:		THESE DRAWINGS AND SPECIFICATIONS ARE THE PROPERTY OF ANOISON ELECTRONICS LTD AND SHOULD NOT BE USED WITHOUT WRITTEN PERMISSION COPYRIGHT © 2024 ANOISON ELECTRONICS LTD		TITLE	WR28 WAVEGUIDE TO COAXIAL 2.92MM RIGHT ANGLE ADAPTERS			
.XX ±0.13 [0.005"] X ±0.20 [0.008"] X ±0.50 [0.019"] X° ±1° X° ±2°				VIEW	PART NO. ANO WR28-292-01			
					SIZE A3	SCALE 4:1	SHEET 1/1	REV. C

4

3

2

1