

4 3 2 1

REVISIONS			
REV.	DESCRIPTION	DATE	APPROVED
A	INITIAL RELEASE	10/17/22	J. Q

**MATERIAL & FINISH:**

**SMA CONNECTOR:**

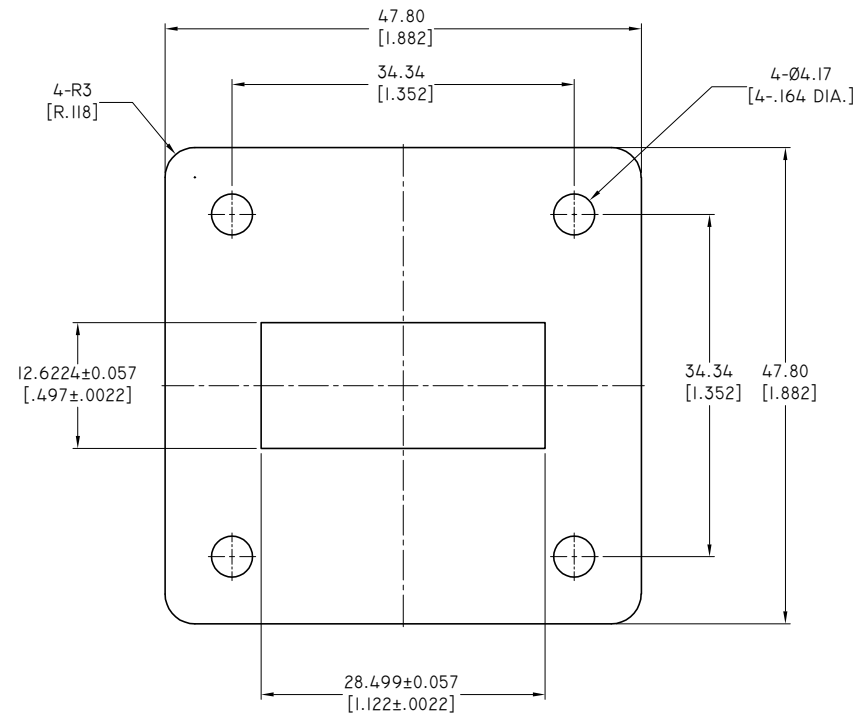
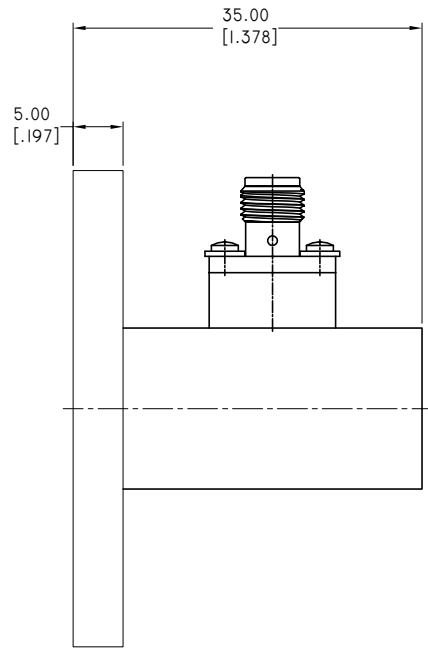
- 1 BODY: BRASS, GOLD PLATED
- 2 CENTER CONTACT: BERYLLIUM COPPER, GOLD PLATED
- 3 INSULATOR: PTFE

**WRII2:**

- 1 BRASS + PAINTING (GRAY)

**ELECTRICAL DATA:**

- 1 IMPEDANCE: 50 Ω
- 2 FREQUENCY RANGE: 6.57-9.99 GHz
- 3 VSWR: 1.25 MAX.
- 4 INSERTION LOSS: 0.3 DB MAX.



DRAWN	W. Y	DATE	10/17/22
CHECKED	L. Y	DATE	10/17/22
APPROVED	J. Q	DATE	10/17/22
UNLESS OTHERWISE SPECIFIED DIMENSIONS ARE IN MILLIMETERS, DIMENSIONS IN [ ] ARE IN INCHES FOR CUSTOMER REFERENCE ONLY UNLESS OTHERWISE SPECIFIED TOLERANCE ARE:		THESE DRAWINGS AND SPECIFICATIONS ARE THE PROPERTY OF ANOISON ELECTRONICS LTD AND SHOULD NOT BE USED WITHOUT WRITTEN PERMISSION COPYRIGHT © 2022 ANOISON ELECTRONICS LTD	
.XX	±0.13 [0.005"]		
.X	±0.25 [0.010"]		
X	±0.50 [0.019"]		
.X°	±1°		
X°	±2°		



TITLE			
WRII2 WAVEGUIDE TO COAXIAL SMA RIGHT ANGLE ADAPTERS			
VIEW	PART NO.		
	ANO WRII2-SMA-01		
SIZE	SCALE	SHEET	REV.
A3	5:1	1/1	A

4 3 2 1