

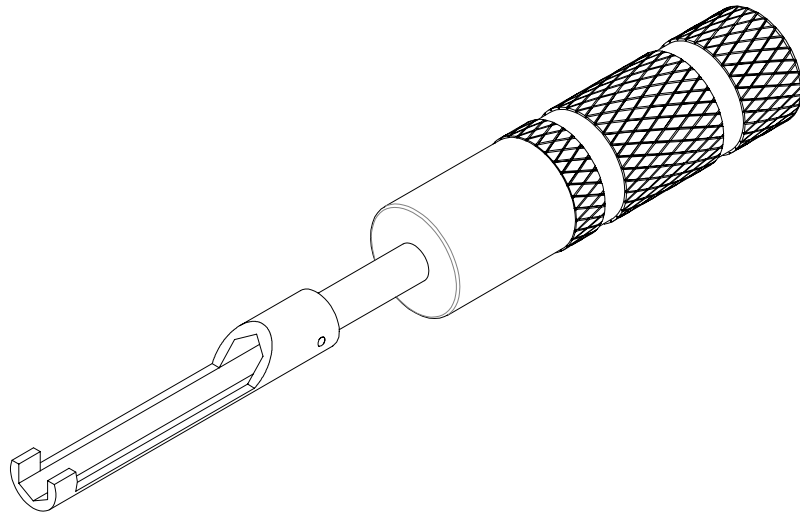
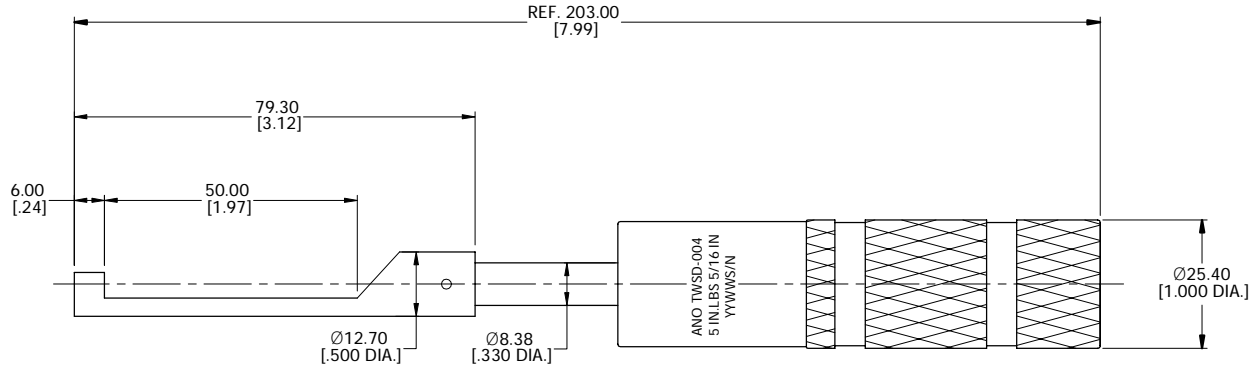
4

3

2

1

| REVISIONS | | | |
|-----------|-----------------|----------|----------|
| REV. | DESCRIPTION | DATE | APPROVED |
| A | INITIAL RELEASE | 10/30/24 | J. Q |



- 1. TORQUE VALUE: 0.56±0.02 NM [5±0.2 IN.LBS]
- 2. SIZE: 8.0 MM [5/16 IN.]

| | | | |
|---|---------------|--|----------|
| DRAWN | X. Y | DATE | 10/30/24 |
| CHECKED | W. Y | DATE | 10/30/24 |
| APPROVED | J. Q | DATE | 10/30/24 |
| UNLESS OTHERWISE SPECIFIED DIMENSIONS ARE IN MILLIMETERS, DIMENSIONS IN [] ARE IN INCHES FOR CUSTOMER REFERENCE ONLY UNLESS OTHERWISE SPECIFIED TOLERANCE ARE: | | THESE DRAWINGS AND SPECIFICATIONS ARE THE PROPERTY OF ANOISON ELECTRONICS LTD AND SHOULD NOT BE USED WITHOUT WRITTEN PERMISSION COPYRIGHT © 2024 ANOISON ELECTRONICS LTD | |
| XX | ±0.13 [.005"] | | |
| X | ±0.20 [.008"] | | |
| X | ±0.50 [.019"] | | |
| X° | ±1° | | |
| X" | ±2° | | |



TITLE TORQUE WRENCH IN SCREWDRIVER TYPE FOR SMA/3.5 MM/2.92 MM/2.4 MM/1.85 MM TYPE CONNECTORS PRESET TORQUE= 0.56±0.02 NM [5±0.2 IN.LBS] HEX SIZE 8.0 MM [5/16 IN.]

| | | | |
|---------|-----------------------|-----------|--------|
| VIEW | PART NO. ANO TWSD-004 | | |
| SIZE A3 | SCALE 1:1 | SHEET 1/1 | REV. A |

4

3

2

1

D

C

B

A

D

C

B

A