

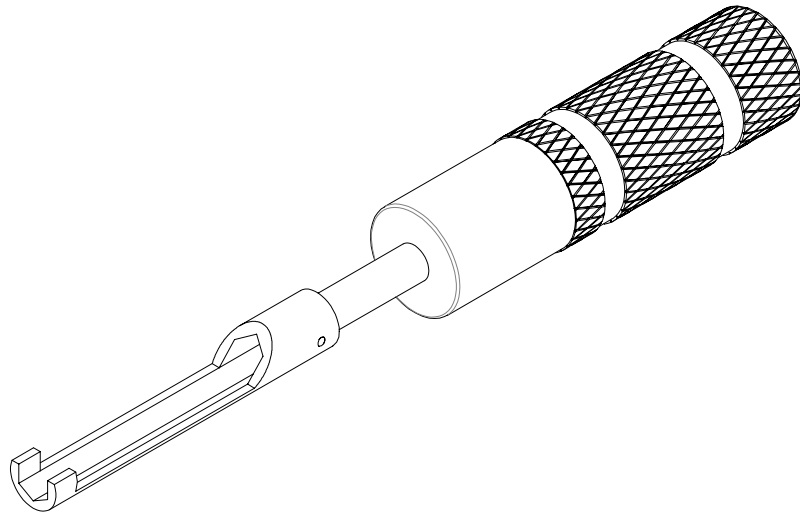
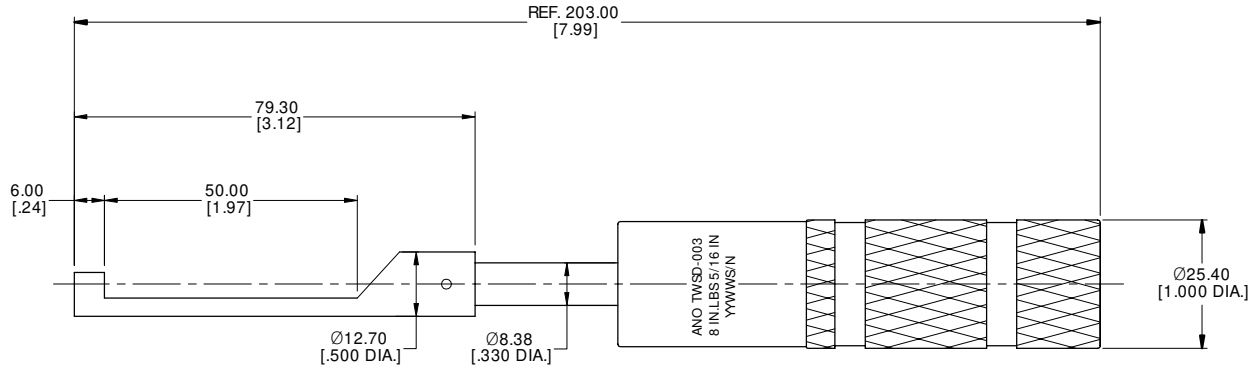
4

3

2

1

REVISIONS			
REV.	DESCRIPTION	DATE	APPROVED
A	INITIAL RELEASE	11/22/22	J Q
B	MARK POSITION CHANGED	02/13/23	J Q



- TORQUE VALUE: 0.9±0.04 NM [8±0.32 IN.LBS]
- SIZE: 8.0 MM [5/16 IN.]

DRAWN	X. Y	DATE	02/13/23
CHECKED	W. Y	DATE	02/13/23
APPROVED	J Q	DATE	02/13/23
UNLESS OTHERWISE SPECIFIED DIMENSIONS ARE IN MILLIMETERS, DIMENSIONS IN [] ARE IN INCHES FOR CUSTOMER REFERENCE ONLY UNLESS OTHERWISE SPECIFIED TOLERANCE ARE:		THESE DRAWINGS AND SPECIFICATIONS ARE THE PROPERTY OF ANOISON ELECTRONICS LTD AND SHOULD NOT BE USED WITHOUT WRITTEN PERMISSION COPYRIGHT © 2023 ANOISON ELECTRONICS LTD	
.XX	±0.13 [.005"]		
X	±0.20 [.008"]		
X	±0.50 [.019"]		
X°	±1°		
X"	±2°		



TITLE TORQUE WRENCH IN SCREWDRIVER TYPE FOR SMA/3.5 MM/2.92 MM/2.4 MM/1.85 MM TYPE CONNECTORS PRESET TORQUE= 0.9±0.04 NM [8±0.32 IN.LBS] HEX SIZE 8.0 MM [5/16 IN.]

VIEW	PART NO. ANO TWSD-003		
SIZE A3	SCALE 1:1	SHEET 1/1	REV. B

4

3

2

1