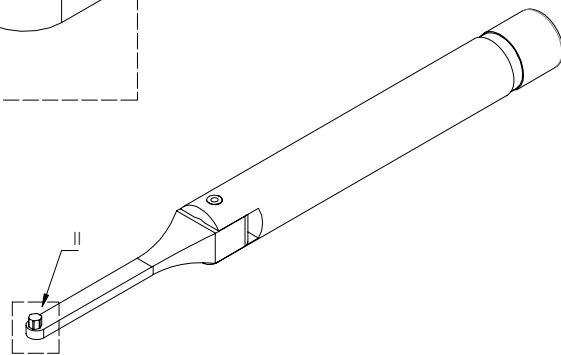
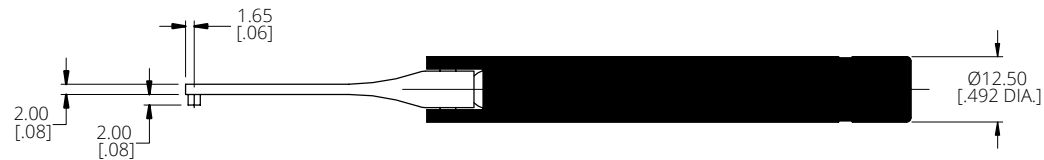
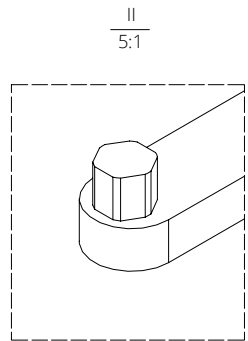
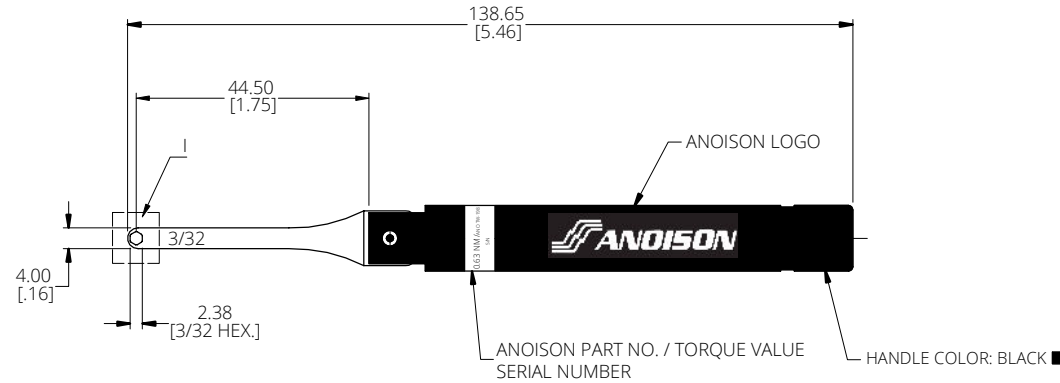
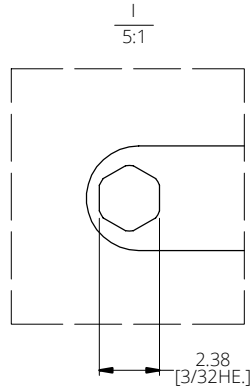


**MATERIAL & FINISH:**

- 1 HEAD: STAINLESS STEEL, PASSIVATED
- 2 HANDLE: ALUMINUM, OXIDATION
- 3 SPRING: MANGANESE ALLOY
- 4 STEEL BALL: STAINLESS STEEL, PASSIVATED
- 5 SPRING PIN: STAINLESS STEEL, PASSIVATED
- 6 OTHER METAL: STAINLESS STEEL, PASSIVATED

| REVISIONS |                 |          |          |
|-----------|-----------------|----------|----------|
| REV.      | DESCRIPTION     | DATE     | APPROVED |
| A         | INITIAL RELEASE | 03/31/26 | J. Q     |



- 1. TORQUE VALUE: 0.18±0.007NM [1.59±0.064 IN.LBS]
- 2. SIZE: 2.38 MM [3/32 IN.]
- 3. PRINT CONTENT ON HANDLE(WHITE COLOR): ANOISON LOGO

|          |      |      |          |
|----------|------|------|----------|
| DRAWN    | X. Y | DATE | 03/31/26 |
| CHECKED  | W. Y | DATE | 03/31/26 |
| APPROVED | J. Q | DATE | 03/31/26 |

UNLESS OTHERWISE SPECIFIED DIMENSIONS ARE IN MILLIMETERS, DIMENSIONS IN [ ] ARE IN INCHES FOR CUSTOMER REFERENCE ONLY UNLESS OTHERWISE SPECIFIED TOLERANCE ARE:

|    |              |
|----|--------------|
| XX | ±0.13 [005"] |
| X  | ±0.20 [008"] |
| x  | ±0.50 [019"] |
| x° | ±1°          |
| x" | ±2°          |

THESE DRAWINGS AND SPECIFICATIONS ARE THE PROPERTY OF ANOISON GROUP. THEY SHALL NOT BE REPRODUCED OR USED WITHOUT WRITTEN PERMISSION. © 2026 ANOISON GROUP. ALL RIGHTS RESERVED.



|  |          |       |      |
|--|----------|-------|------|
| TITLE  |          |       |      |
| TORQUE WRENCH FOR 4-40 SCREW<br>PRESET TORQUE= 0.18±0.007NM [1.59±0.064 IN.LBS]<br>HEX SIZE 2.38 MM [3/32 IN.] |          |       |      |
| VIEW   | PART NO. |       |      |
| SIZE   | SCALE    | SHEET | REV. |
| A3   | 1:1      | 1/1   | A    |