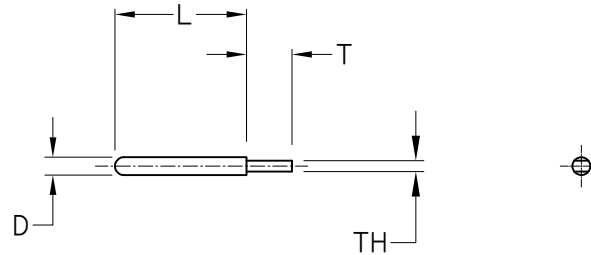


**MATERIAL & FINISH**

LAUNCH PIN: BERYLLIUM COPPER ALLOY, GOLD PLATING

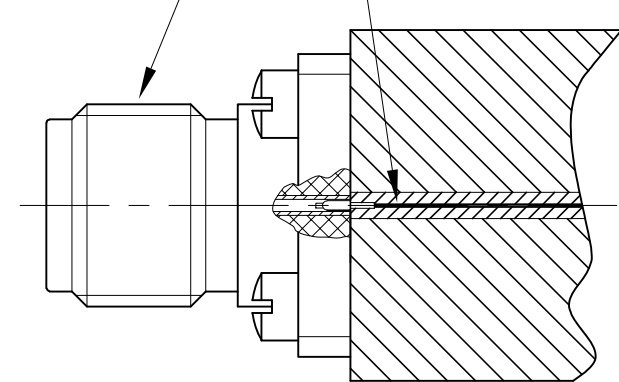
REVISIONS			
REV.	DESCRIPTION	DATE	APPROVED
A	INITIAL RELEASE	03/17/23	J. Q

**DIRECT LAUNCH**



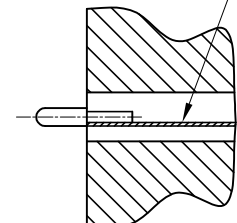
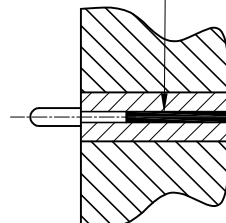
REPLACEABLE JACK CONNECTOR

STRIPLINE DIRECT LAUNCH



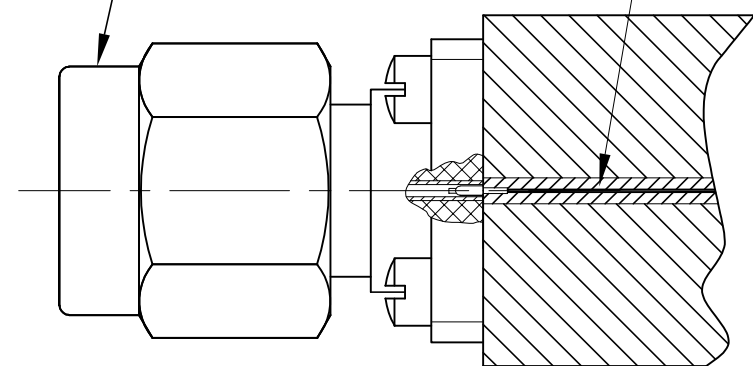
STRIPLINE

SUSPENDED STRIPLINE



REPLACEABLE PLUG CONNECTOR

STRIPLINE DIRECT LAUNCH



.020	.050	.004	.080	S-016P
.018	.040	.004	.080	S-015P
.015	.040	.004	.085	S-014P
.012	.025	.004	.050	S-013P
.009	.015	.003	.050	S-012P
.009	.015	.004	.050	S-011P
D DIA.	T	TH	L	ACCESSORY NUMBERS

DRAWN	W. Y	DATE	03/17/23
CHECKED	X. Y	DATE	03/17/23
APPROVED	J. Q	DATE	03/17/23
UNLESS OTHERWISE SPECIFIED DIMENSIONS ARE IN MILLIMETERS, DIMENSIONS IN [ ] ARE IN INCHES FOR CUSTOMER REFERENCE ONLY UNLESS OTHERWISE SPECIFIED TOLERANCE ARE:		THESE DRAWINGS AND SPECIFICATIONS ARE THE PROPERTY OF ANOISON ELECTRONICS LTD AND SHOULD NOT BE USED WITHOUT WRITTEN PERMISSION COPYRIGHT © 2023 ANOISON ELECTRONICS LTD	
.XX	±0.13 [.005"]		
.X	±0.20 [.008"]		
X	±0.50 [.019"]		
X°	±1°		
X*	±2°		



TITLE  
LAUNCH PIN/TAB TRANSITIONS TO STRIPLINE CIRCUITS FOR FLANGE MOUNT CONNECTORS

VIEW	PART NO.	ANO S-XXXX		
SIZE	SCALE	SHEET	REV.	
A3	4:1	1/1	A	