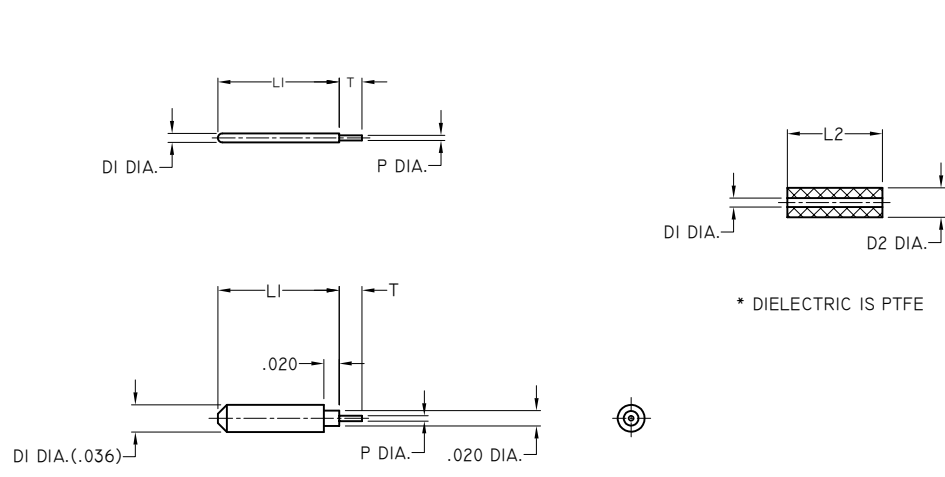


MATERIAL & FINISH

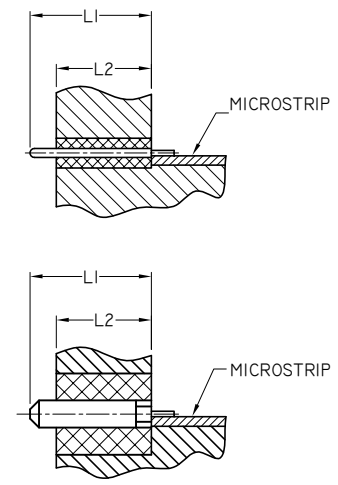
LAUNCH PIN: BERYLLIUM COPPER ALLOY, GOLD 1.27µm PLATING

REV.	DESCRIPTION	DATE	APPROVED
A	INITIAL RELEASE	08/01/15	J. Q
B	RE-ENCODED	09/30/16	J. Q
C	DRAWING FORMAT CHANGED	04/16/19	J. Q
D	ADDED PLATING THICKNESS	03/03/26	J. Q

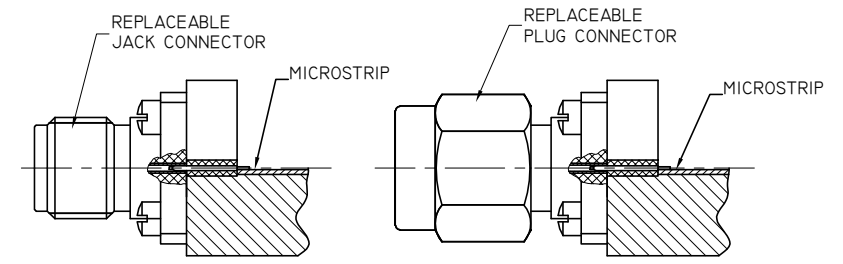
DIELECTRIC TRANSITION



* APPLICABLE TO .036 PIN ONLY



APPLICATION



.036	.117	.050	.010	.175	.125	M-010G	M-010P	M-010D
				.237	.187	M-009G	M-009P	M-009D
				.160	.125	M-008G	M-008P	M-008D
.020	.064			.225	.187	M-007G	M-007P	M-007D
				.160	.125	M-006G	M-006P	M-006D
.015	.048	.030	.007	.225	.187	M-005G	M-005P	M-005D
				.160	.125	M-004G	M-004P	M-004D
.012	.039			.225	.187	M-003G	M-003P	M-003D
				.160	.125	M-002G	M-002P	M-002D
.009	.029	.015	.003	.225	.187	M-001G	M-001P	M-001D
DI DIA.	D2 DIA.	T	P DIA.	L1	L2	LAUNCH PIN & DIELECTRIC*	LAUNCH PIN ONLY	DIELECTRIC* ONLY
ACCESSORY NUMBERS								

DRAWN	W. Y	DATE	03/04/26
CHECKED	X. Y	DATE	03/04/26
APPROVED	J. Q	DATE	03/04/26
UNLESS OTHERWISE SPECIFIED DIMENSIONS ARE IN MILLIMETERS, DIMENSIONS IN [] ARE IN INCHES FOR CUSTOMER REFERENCE ONLY UNLESS OTHERWISE SPECIFIED TOLERANCE ARE:		THESE DRAWINGS AND SPECIFICATIONS ARE THE PROPERTY OF ANOISON ELECTRONICS LTD AND SHOULD NOT BE USED WITHOUT WRITTEN PERMISSION COPYRIGHT © 2026 ANOISON ELECTRONICS LTD	
.XX	±0.13 [.005"		
.X	±0.20 [.008"		
X	±0.50 [.019"		
X°	±1°		
X°	±2°		

ANOISON

TITLE
LAUNCH PIN TRANSITIONS TO MICROSTRIP CIRCUITS FOR PANEL MOUNT CONNECTORS

VIEW

PART NO.
M-XXX

SIZE A3	SCALE 4:1	SHEET 1/1	REV. D
-------------------	---------------------	---------------------	------------------