

MATERIAL & FINISH:

- 1 BODY: BRASS, NICKEL
- 2 CENTER CONTACT: PHOSPHOR BRONZE, GOLD PLATED
- 3 INSULATOR: PTFE

ENVIRONMENTAL DATA:

- 1 TEMPERATURE RANGE: -55°C~+125°C
- 2 2011/65/EC (RoHS): COMPLIANT

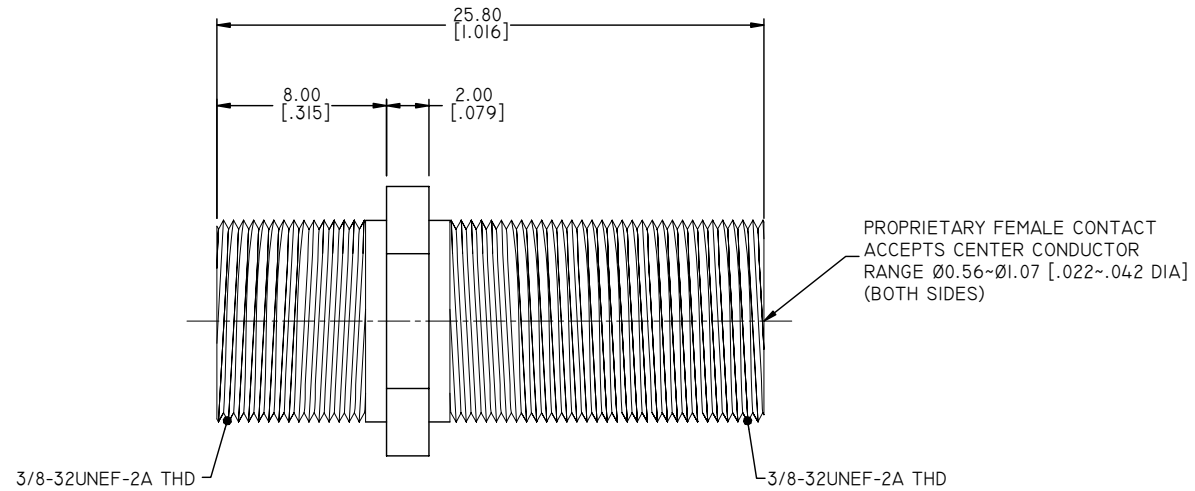
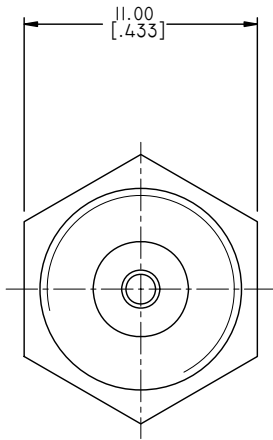
ELECTRICAL DATA:

- 1 IMPEDANCE: 75 Ω
- 2 FREQUENCY RANGE: DC~3 GHz
- 3 VSWR: 1.25 MAX.

APPLICABLE STANDARDS:

- 1 INTERFACE ACCORDING TO: IEC61169-24

REVISIONS			
REV.	DESCRIPTION	DATE	APPROVED
A	INITIAL RELEASE	04/18/17	J. QU



DRAWN	X. B. YANG	DATE	04/18/17
CHECKED	L. YANG	DATE	04/18/17
APPROVED	J. QU	DATE	04/18/17
UNLESS OTHERWISE SPECIFIED DIMENSIONS ARE IN MILLIMETERS. DIMENSIONS IN [] ARE IN INCHES FOR CUSTOMER REFERENCE ONLY UNLESS OTHERWISE SPECIFIED TOLERANCE ARE:		THESE DRAWINGS AND SPECIFICATIONS ARE THE PROPERTY OF ANOISON ELECTRONICS LTD AND SHOULD NOT BE USED WITHOUT WRITTEN PERMISSION COPYRIGHT © 2017 ANOISON ELECTRONICS LTD	
.XX	±0.13 [0.005"]		
.X	±0.20 [0.008"]		
X	±0.50 [0.019"]		
.X°	±1°		
X°	±2°		



TITLE			
ADAPTER, F FEMALE TO F FEMALE BULKHEAD			
VIEW		PART NO.	
		ANO 972-972-1368	
SIZE	SCALE	SHEET	REV.
A3	4:1	1/1	A