

4

3

2

1

MATERIAL & FINISH:

- 1 BODY: BRASS, TIN PLATED
- 2 CENTER CONTACT: BRASS, TIN PLATED
- 3 INSULATOR: PE/PP

MECHANICAL DATA:

CENTER CONTACT RETENTION FORCE: 0.3 N MIN.

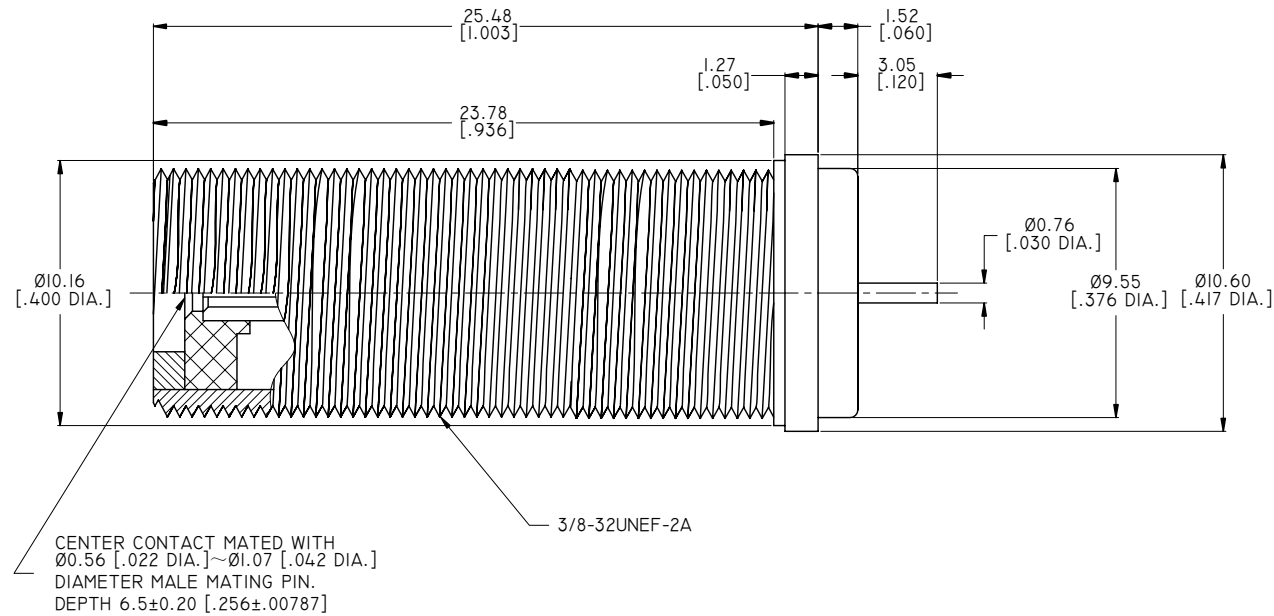
ELECTRICAL DATA:

- 1 IMPEDANCE: 75 Ω
- 2 FREQUENCY RANGE: DC~1525MHZ
- 3 RETURN LOSS : ≥ 25 DB

ENVIRONMENTAL DATA:

- 1 TEMPERATURE RANGE: -40°C~+60°C
- 2 2011/65/EU(ROHS) AND 2015/863/(RoHS): COMPLIANT
- 3 1999/45/EC(REACH): COMPLIANT

REVISIONS			
REV.	DESCRIPTION	DATE	APPROVED
A	INITIAL RELEASE	07/29/11	J. QU
B	1. 2015/863/(RoHS): COMPLIANT ADDED 2. 1999/45/EC(REACH): COMPLIANT ADDED	09/30/18	J. QU



DRAWN	P. CHEN	DATE	09/30/18			
CHECKED	X. B. YANG	DATE	09/30/18			
APPROVED	J. QU	DATE	09/30/18			
UNLESS OTHERWISE SPECIFIED DIMENSIONS ARE IN MILLIMETERS, DIMENSIONS IN [] ARE IN INCHES FOR CUSTOMER REFERENCE ONLY UNLESS OTHERWISE SPECIFIED TOLERANCE ARE:		THESE DRAWINGS AND SPECIFICATIONS ARE THE PROPERTY OF ANOISON ELECTRONICS LTD AND SHOULD NOT BE USED WITHOUT WRITTEN PERMISSION COPYRIGHT © 2018 ANOISON ELECTRONICS LTD		TITLE	75 OHM F FEMALE CONNECTOR SOLDER ATTACHMENT PIN TERMINAL	
.XX	±0.13 [.005"]	VIEW	PART NO.		ANO 9712-6004	
.X	±0.20 [.008"]		SIZE	SCALE	SHEET	REV.
X	±0.50 [.019"]		A3	5:1	I/I	B
.X°	±1°					
X°	±2°					

4

3

2

1