

MATERIAL & FINISH:

- 1 BODY: BRASS, NICKEL PLATED
- 2 CENTER CONTACT: PHOSPHOR BRONZE, SILVER PLATED
- 3 INSULATOR: PTFE
- 4 O-RING: MVQ(SILICONE RUBBER)

MECHANICAL DATA:

DURABILITY: 500 CYCLES

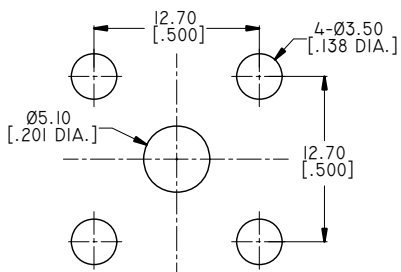
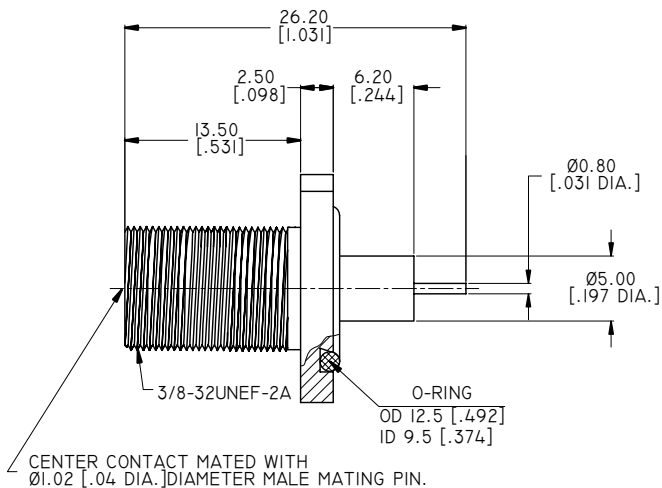
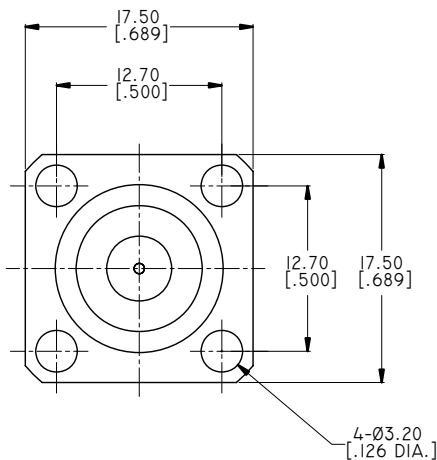
ELECTRICAL DATA:

- 1 IMPEDANCE: 75 Ω
- 2 FREQUENCY RANGE: 950MHZ~2050MHZ
- 3 VSWR : ≤1.25

ENVIRONMENTAL DATA:

- 1 TEMPERATURE RANGE: -40°C~+60°C
- 2 2011/65/EU(RoHS) AND 2015/863/(RoHS): COMPLIANT
- 3 1999/45/EC(REACH): COMPLIANT

REVISIONS			
REV.	DESCRIPTION	DATE	APPROVED
A	INITIAL RELEASE	07/22/11	J. QU
B	1. 2015/863/(RoHS): COMPLIANT ADDED 2. 1999/45/EC(REACH): COMPLIANT ADDED	09/30/18	J. QU



RECOMMENDED MOUNTING HOLE

DRAWN	P. CHEN	DATE	09/30/18
CHECKED	X. B. YANG	DATE	09/30/18
APPROVED	J. QU	DATE	09/30/18
UNLESS OTHERWISE SPECIFIED DIMENSIONS ARE IN MILLIMETERS, DIMENSIONS IN [ ] ARE IN INCHES FOR CUSTOMER REFERENCE ONLY UNLESS OTHERWISE SPECIFIED TOLERANCE ARE:		THESE DRAWINGS AND SPECIFICATIONS ARE THE PROPERTY OF ANOISON ELECTRONICS LTD AND SHOULD NOT BE USED WITHOUT WRITTEN PERMISSION COPYRIGHT © 2018 ANOISON ELECTRONICS LTD	
.XX	±0.13 [.005"]		
.X	±0.20 [.008"]		
X	±0.50 [.019"]		
.X°	±1°		
X°	±2°		



TITLE  
75 OHM F FEMALE CONNECTOR SOLDER ATTACHMENT  
4 HOLE PIN TERMINAL .500 INCH HOLE SPACING

VIEW	PART NO. ANO 9712-3005		
	SIZE A3	SCALE 2.5:1	SHEET 1/1
			REV. B