

4

3

2

1

MATERIAL & FINISH:

- 1 BODY: BRASS, NICKEL PLATED
- 2 CENTER CONTACT: PHOSPHOR BRONZE, ALBALOY PLATED
- 3 FASTENING NUT: BRASS, NICKEL PLATED
- 4 WASHER: PHOSPHOR BRONZE, NICKEL PLATED
- 5 CRIMP FERRULE: COPPER, NICKEL PLATED
- 6 INSULATOR: PTFE

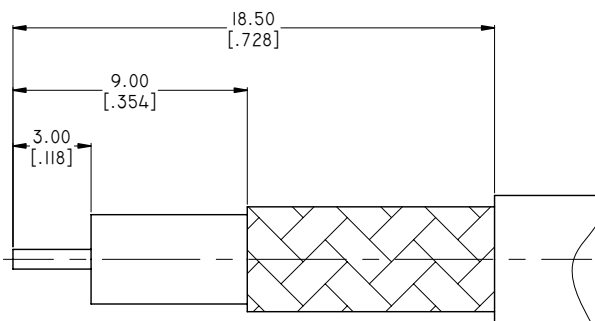
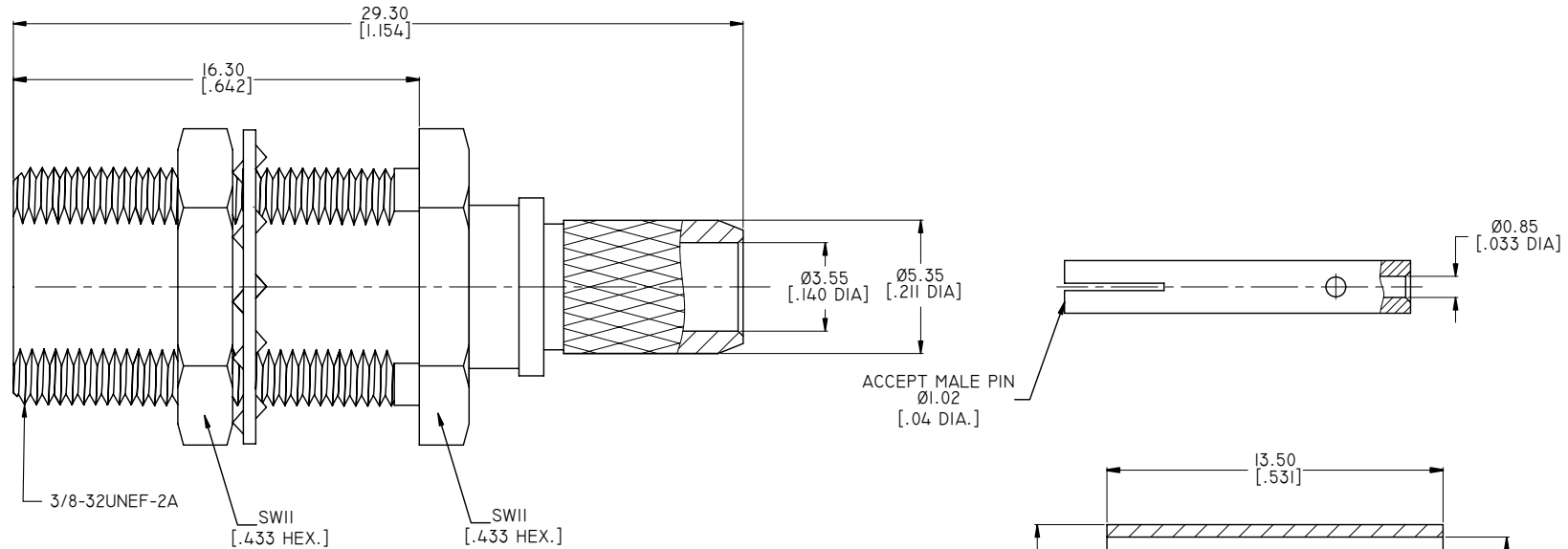
ELECTRICAL DATA:

- 1 IMPEDANCE: 75 Ω
- 2 FREQUENCY RANGE: DC~1000MHZ

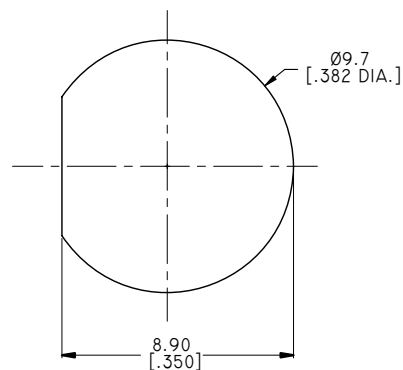
ENVIRONMENTAL DATA:

- 1 TEMPERATURE RANGE: -55°C~+125°C
- 2 IP RATING(INTERFACE MATED): IP68
- 3 2011/65/EU(RoHS) AND 2015/863/(RoHS): COMPLIANT
- 4 1999/45/EC(REACH): COMPLIANT

REVISIONS			
REV.	DESCRIPTION	DATE	APPROVED
A	INITIAL RELEASE	12/06/13	J. QU
B	RECOMMENDED MOUNTING HOLE AND TABLE ADDED	12/07/13	J. QU
C	1. 2015/863/(RoHS): COMPLIANT ADDED 2. 1999/45/EC(REACH): COMPLIANT ADDED	09/25/18	J. QU



CABLE STRIPPING DIMENSIONS



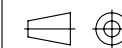
RECOMMENDED MOUNTING HOLE

DRAWN	P. CHEN	DATE	09/25/18
CHECKED	X. B. YANG	DATE	09/25/18
APPROVED	J. QU	DATE	09/25/18
UNLESS OTHERWISE SPECIFIED DIMENSIONS ARE IN MILLIMETERS, DIMENSIONS IN [] ARE IN INCHES FOR CUSTOMER REFERENCE ONLY UNLESS OTHERWISE SPECIFIED TOLERANCE ARE:		THESE DRAWINGS AND SPECIFICATIONS ARE THE PROPERTY OF ANOISON ELECTRONICS LTD AND SHOULD NOT BE USED WITHOUT WRITTEN PERMISSION COPYRIGHT © 2018 ANOISON ELECTRONICS LTD	
.XX	±0.13 [.005"]		
.X	±0.20 [.008"]		
X	±0.50 [.019"]		
.X°	±1°		
X°	±2°		



TITLE
75 OHM F FEMALE BULKHEAD MOUNT
CONNECTOR CRIMP/SOLDER ATTACHMENT FOR
BELDEN 89259, .382 INCH D HOLE

VIEW



PART NO.

ANO 9712-1014

SIZE
A3SCALE
5:1SHEET
1/1REV.
C

4

3

2

1