

4

3

2

1

REVISIONS			
REV.	DESCRIPTION	DATE	APPROVED
A	INITIAL RELEASE	01/13/20	J. QU

MATERIAL & FINISH:

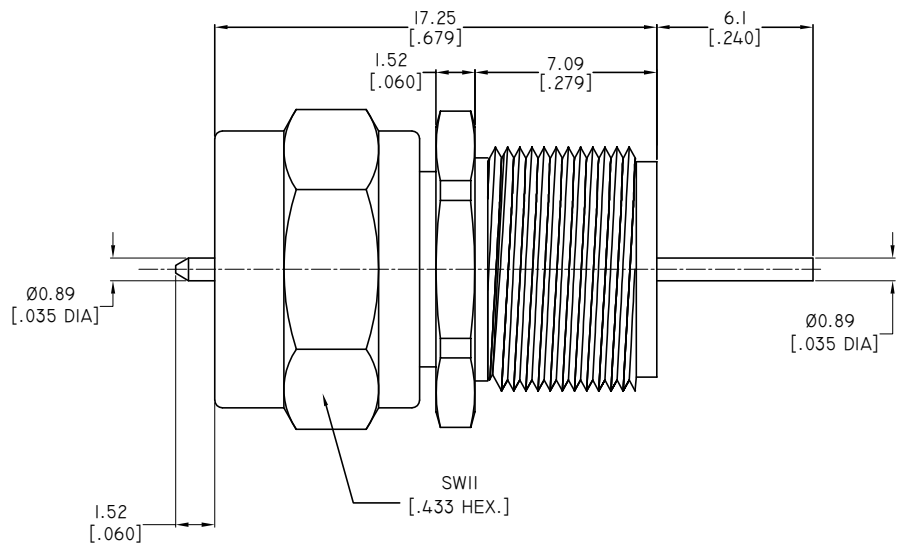
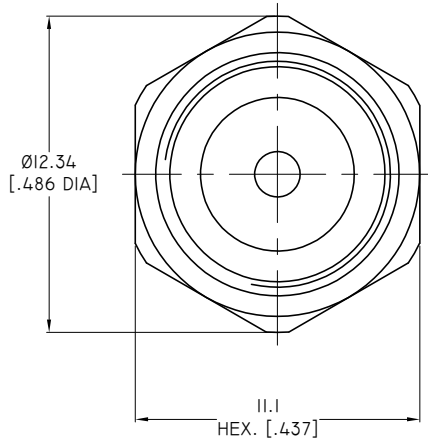
- 1 BODY: BRASS, NICKEL PLATED
- 2 CENTER CONTACT: BRASS, ALBALOY PLATED
- 3 COUPLING NUT: BRASS, NICKEL PLATED
- 4 INSULATOR: PTFE
- 5 GASKET: MVQ(SILICONE RUBBER)

ELECTRICAL DATA:

- 1 IMPEDANCE: 75 Ω
- 2 FREQUENCY RANGE: DC-1000MHZ

ENVIRONMENTAL DATA:

- 1 TEMPERATURE RANGE: -55°C~+125°C
- 2 2011/65/EU(RoHS) AND 2015/863/(RoHS): COMPLIANT
- 3 1999/45/EC(REACH): COMPLIANT



DRAWN	W. YANG	DATE	01/13/20
CHECKED	X. B. YANG	DATE	01/13/20
APPROVED	J. QU	DATE	01/13/20
UNLESS OTHERWISE SPECIFIED DIMENSIONS ARE IN MILLINMETERS, DIMENSIONS IN [] ARE IN INCHES FOR CUSTOMER REFERENCE ONLY UNLESS OTHERWISE SPECIFIED TOLERANCE ARE:		THESE DRAWINGS AND SPECIFICATIONS ARE THE PROPERTY OF ANOISON ELECTRONICS LTD AND SHOULD NOT BE USED WITHOUT WRITTEN PERMISSION COPYRIGHT © 2020 ANOISON ELECTRONICS LTD	
.XX	±0.13 [0.005"]		
.X	±0.20 [0.008"]		
X	±0.50 [0.019"]		
.X°	±1°		
X°	±2°		



TITLE
75 OHM F STRAIGHT THREADED RECEPTACLE MALE POST CONTACT

VIEW	PART NO. ANO 9711-5019			
	SIZE A3	SCALE 5:1	SHEET 1/1	REV. A

4

3

2

1