

4 3 2 1

REVISIONS			
REV.	DESCRIPTION	DATE	APPROVED
A	INITIAL RELEASE	07/29/22	J. Q

1.0 MATERIAL & FINISH

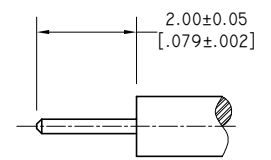
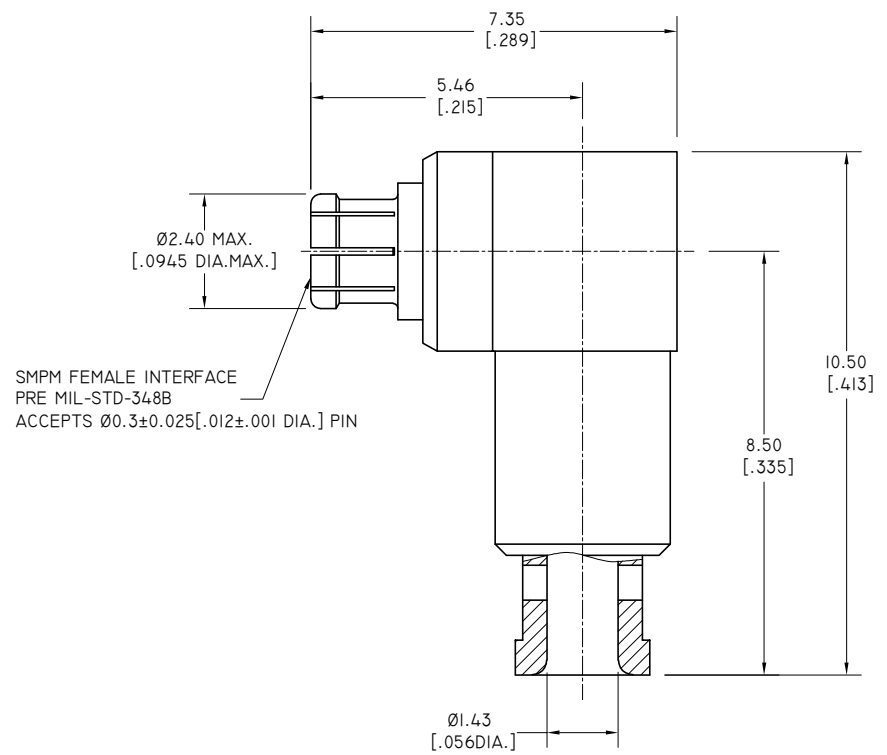
- 1.1 BODY: BERYLLIUM COPPER ALLOY, GOLD PLATED
- 1.2 CENTER CONTACT: BERYLLIUM COPPER ALLOY, GOLD PLATED
- 1.3 INSULATOR: PTFE

3.0 ELECTRICAL SPECIFICATIONS:

- 3.1 IMPEDANCE: 50 Ω
- 3.2 FREQUENCY RANGE: DC-40GHZ
- 3.3 VSWR: ≤1.50

2.0 ENVIRONMENTAL DATA:

- 2.1 TEMPERATURE RANGE: -55°C~+165°C
- 2.2 2011/65/EU (RoHS): COMPLIANT



CABLE STRIPPING DIMENSIONS

DRAWN	W. Y	DATE	07/29/22
CHECKED	X. Y	DATE	07/29/22
APPROVED	J. Q	DATE	07/29/22
UNLESS OTHERWISE SPECIFIED DIMENSIONS ARE IN MILLIMETERS, DIMENSIONS IN [] ARE IN INCHES FOR CUSTOMER REFERENCE ONLY UNLESS OTHERWISE SPECIFIED TOLERANCE ARE:		THESE DRAWINGS AND SPECIFICATIONS ARE THE PROPERTY OF ANOISON ELECTRONICS LTD AND SHOULD NOT BE USED WITHOUT WRITTEN PERMISSION COPYRIGHT © 2022 ANOISON ELECTRONICS LTD	
.XX	±0.13 [.005"]		
.X	±0.20 [.008"]		
X	±0.50 [.019"]		
X°	±1°		
X*	±2°		

TITLE
SMPM R/A FEMALE SOLDER FOR .047 S/R CABLE

VIEW

PART NO.
ANO 9422-2062

SIZE A3	SCALE 10:1	SHEET 1/1	REV. A
-------------------	----------------------	---------------------	------------------

4 3 2 1