

4 3 2 1

REVISIONS			
REV.	DESCRIPTION	DATE	APPROVED
A	INITIAL RELEASE	08/16/21	J. QU

MATERIAL & FINISH:

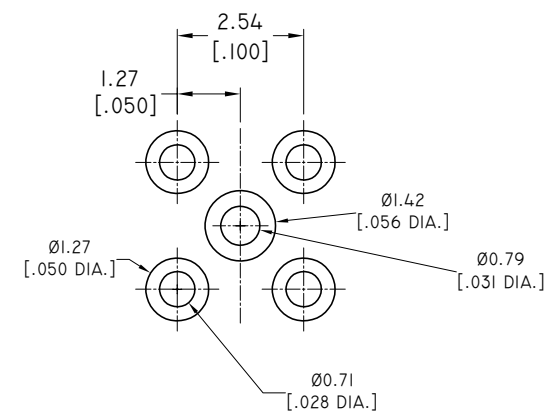
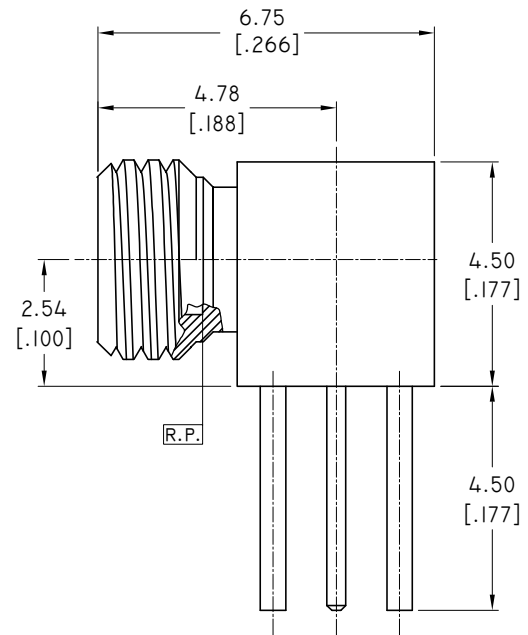
1. CENTER CONTACT: BERYLLIUM COPPER ALLOY, GOLD PLATED
2. BODY: BERYLLIUM COPPER ALLOY, GOLD PLATED
3. INSULATOR: PTFE

ENVIRONMENTAL DATA:

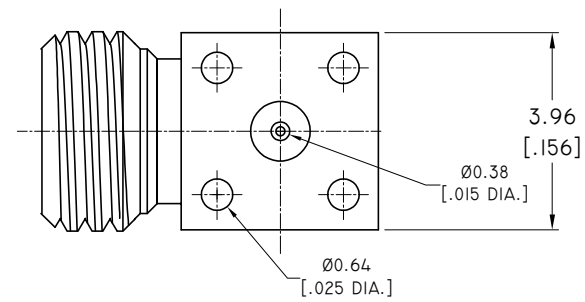
1. TEMPERATURE RANGE: -65°C~+165°C
2. 2011/65/EU (RoHS): COMPLIANT

ELECTRICAL SPECIFICATIONS:

1. IMPEDANCE: 50 Ω
2. FREQUENCY RANGE: DC-65GHZ



RECOMMENDED MOUNTING HOLE



PART NO.	INTERFACE
ANO 9421-5042-1	FULL DETENT
ANO 9421-5042-2	SMOOTH BORE

DRAWN	W. YANG	DATE	08/16/21
CHECKED	L. YANG	DATE	08/16/21
APPROVED	J. QU	DATE	08/16/21
UNLESS OTHERWISE SPECIFIED DIMENSIONS ARE IN MILLIMETERS, DIMENSIONS IN [] ARE IN INCHES FOR CUSTOMER REFERENCE ONLY UNLESS OTHERWISE SPECIFIED TOLERANCE ARE:		THESE DRAWINGS AND SPECIFICATIONS ARE THE PROPERTY OF ANOISON ELECTRONICS LTD AND SHOULD NOT BE USED WITHOUT WRITTEN PERMISSION COPYRIGHT © 2021 ANOISON ELECTRONICS LTD	
.XX	±0.13 [.005"]		
.X	±0.20 [.008"]		
X	±0.50 [.019"]		
X°	±1°		
X"	±2°		

TITLE
SMPM-T RIGHT ANGLE MALE FOR PCB MOUNT

VIEW

PART NO.
ANO 9421-5042

SIZE	SCALE	SHEET	REV.
A3	10:1	1/1	A

4 3 2 1