

4

3

2

1

MATERIAL & FINISH:

- 1 BODY: BERYLLIUM COPPER ALLOY, GOLD PLATED
- 2 CENTER CONTACT: BERYLLIUM COPPER ALLOY, GOLD PLATED
- 3 INSULATOR: PTFE
- 4 SPRING: STAINLESS STEEL, PASSIVATED

ENVIRONMENTAL DATA:

- 1 TEMPERATURE RANGE: -55°C~+125°C
- 2 2011/65/EU(RoHS) AND 2015/863/(RoHS): COMPLIANT
- 3 1907/2006/EC(REACH): COMPLIANT

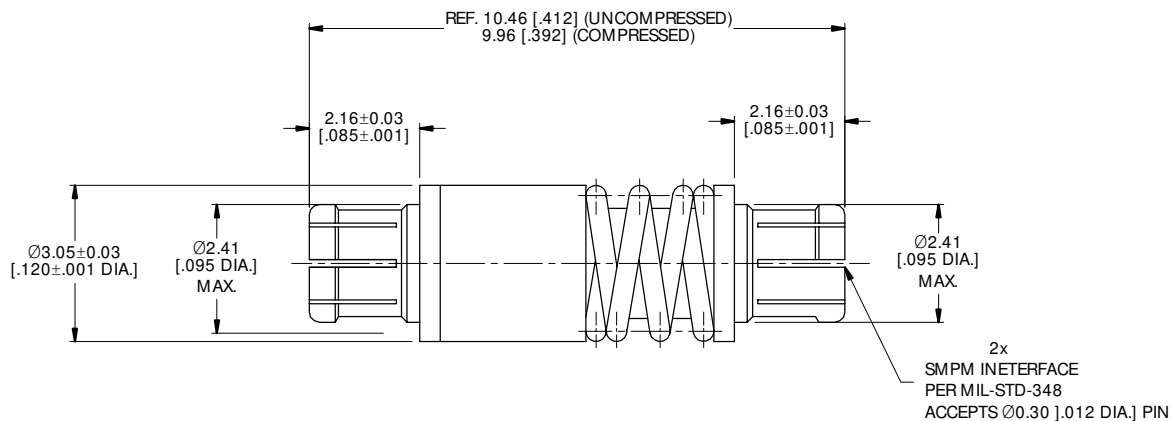
ELECTRICAL DATA:

- 1 IMPEDANCE: 50 Ω
- 2 FREQUENCY RANGE: DC~40 GHz
- 3 VSWR: 1.40 MAX.
- 4 INSERTION LOSS: 0.5 dB MAX.
- 5 D.W.V.: 325 VRMS.
- 6 INSULATION RES.: 5000 MΩ

MECHANICAL DATA:

- 1 WEIGHT: 0.20 OUNCES MAX.
- 2 SPRING FORCE: 4.5 LBS MAX. AT FULL DEFLECTION,
2 LBS MIN. PRELOAS.
- 3 AXIAL COMPRESSION: .020

REVISIONS			
REV.	DESCRIPTION	DATE	APPROVED
A	INITIAL RELEASE	12/12/22	J Q



DRAWN	X. Y	DATE	12/12/22
CHECKED	W. Y	DATE	12/12/22
APPROVED	J Q	DATE	12/12/22

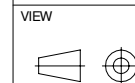
UNLESS OTHERWISE SPECIFIED DIMENSIONS ARE IN MILLIMETERS, DIMENSIONS IN [] ARE IN INCHES FOR CUSTOMER REFERENCE ONLY UNLESS OTHERWISE SPECIFIED TOLERANCE ARE:

.XX	±0.13 [.005"]
.X	±0.20 [.008"]
X	±0.50 [.019"]
.X°	±1°
X°	±2°

THESE DRAWINGS AND SPECIFICATIONS ARE THE PROPERTY OF ANOISON ELECTRONICS LTD AND SHOULD NOT BE USED WITHOUT WRITTEN PERMISSION COPYRIGHT © 2022 ANOISON ELECTRONICS LTD



TITLE
ADAPTER, TELESCOPIC SMPM FEMALE TO FEMALE



PART NO. ANO 942-942-1613			
SIZE A3	SCALE 10:1	SHEET 1/1	REV. A

4

3

2

1