

MATERIAL

- 1 BODY: BERYLLIUM COPPER ALLOY CI7300 PER ASTM B196, COND 1/2H TO H
- 2 CENTER CONTACT: BERYLLIUM COPPER ALLOY CI7300 PER ASTM B196, COND 1/2H TO H
- 3 INSULATOR: PTFE PER ASTM-D1710

FINISH:

- 1 BODY: GOLD, PER ASTM B488, TYPE II GRADE C, CLASS I.27 MIN. μM OVER NICKEL, 1.3~4.3 μM PER ASM-QQ-N-290
- 2 CENTER CONTACT: GOLD, PER ASTM B488, TYPE II CODE C, CLASS I.27 MIN. μM OVER NICKEL, 1.3~4.3 μM PER ASM-QQ-N-290

ELECTRICAL DATA:

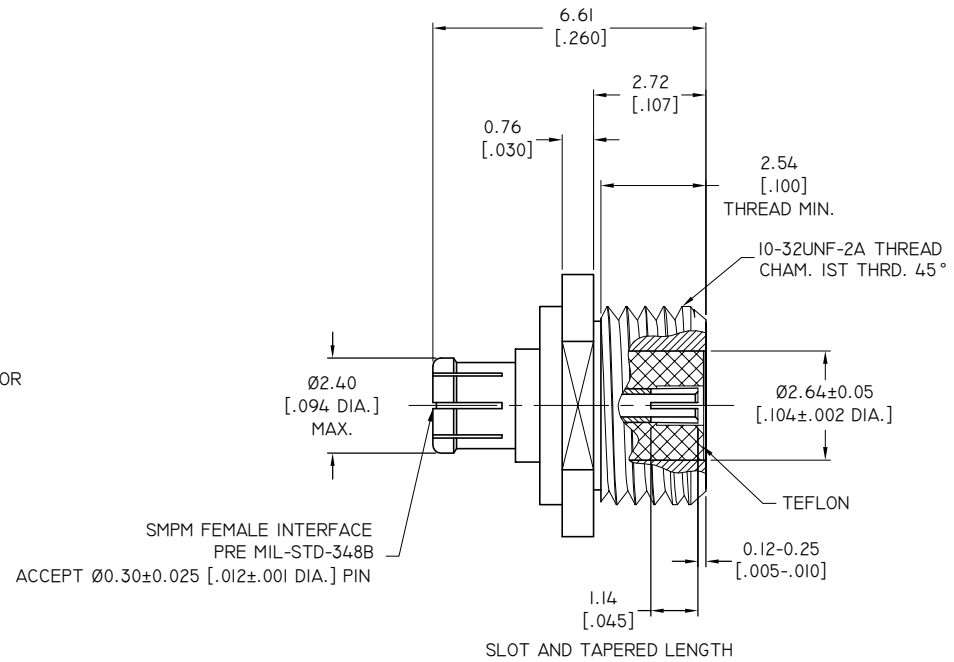
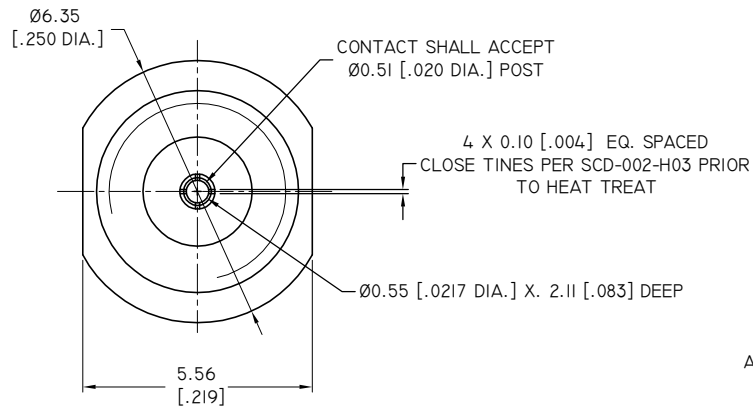
- 1 IMPEDANCE: 50 OHMS
- 2 FREQUENCY RANGE: DC~65 GHZ

ENVIRONMENTAL DATA:

- 1 TEMPERATURE RANGE: -55 °C~+125 °C
- 2 2011/65/EU(RoHS) AND 2015/863/(RoHS): COMPLIANT
- 3 1907/2006/EC(REACH): COMPLIANT

REVISIONS

REV.	DESCRIPTION	DATE	APPROVED
A	INITIAL RELEASE	03/27/20	J. QU



DRAWN	X. B. YANG	DATE	03/27/20
CHECKED	W. YANG	DATE	03/27/20
APPROVED	J. QU	DATE	03/27/20

UNLESS OTHERWISE SPECIFIED DIMENSIONS ARE IN MILLIMETERS. DIMENSIONS IN [] ARE IN INCHES FOR CUSTOMER REFERENCE ONLY UNLESS OTHERWISE SPECIFIED TOLERANCE ARE:	THESE DRAWINGS AND SPECIFICATIONS ARE THE PROPERTY OF ANOISON ELECTRONICS LTD AND SHOULD NOT BE USED WITHOUT WRITTEN PERMISSION COPYRIGHT © 2020 ANOISON ELECTRONICS LTD
.XX	±0.13 [.005"]
.X	±0.20 [.008"]
X	±0.50 [.019"]
.X°	±1°
X°	±2°



TITLE
SMPM STRAIGHT FEMALE, PANEL MOUNT THREAD-IN FOR .020 DIA. POST

VIEW	PART NO. ANO 9412-5046
SIZE A3	SCALE 8:1
SHEET 1/1	REV. A