

4

3

2

1

MATERIAL & FINISH:

- 1 BODY: BERYLLIUM COPPER ALLOY, GOLD PLATED
- 2 CENTER CONTACT: BERYLLIUM COPPER ALLOY, GOLD PLATED
- 3 INSULATOR: PTFE
- 4 CRIMP FERRULE: COPPER, NICKEL PLATED

ELECTRICAL DATA:

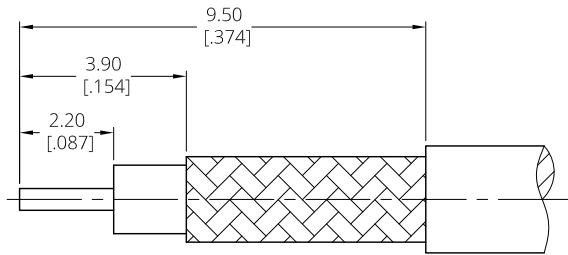
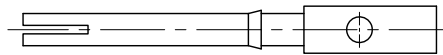
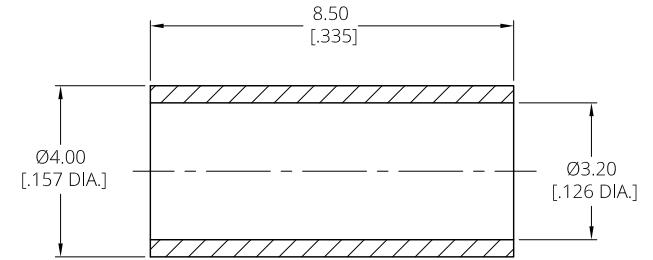
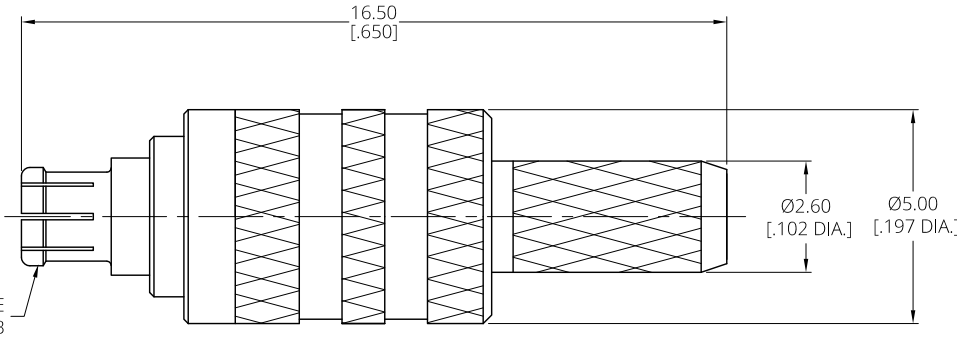
- 1 IMPEDANCE: 50 Ω
- 2 FREQUENCY RANGE: DC~6 GHz
- 3 VSWR: 1.35 MAX.

REVISIONS

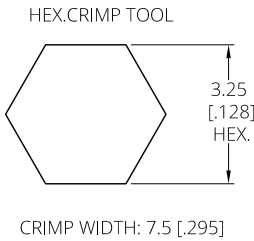
REV.	DESCRIPTION	DATE	APPROVED
A	INITIAL RELEASE	12/16/25	J. Q

ENVIRONMENTAL DATA:

- 1 TEMPERATURE RANGE: -55°C~+125°C
- 2 2011/65/EU(RoHS) AND 2015/863/(RoHS): COMPLIANT
- 3 1907/2006/EC(REACH): COMPLIANT



CABLE STRIPPING DIMENSIONS



DRAWN	X. Y	DATE	12/16/25
CHECKED	W. Y	DATE	12/16/25
APPROVED	J. Q	DATE	12/19/25
UNLESS OTHERWISE SPECIFIED DIMENSIONS ARE IN MILLIMETERS, DIMENSIONS IN [] ARE IN INCHES FOR CUSTOMER REFERENCE ONLY UNLESS OTHERWISE SPECIFIED TOLERANCE ARE:		THESE DRAWINGS AND SPECIFICATIONS ARE THE PROPERTY OF ANOISON ELECTRONICS LTD AND SHOULD NOT BE USED WITHOUT WRITTEN PERMISSION COPYRIGHT © 2025 ANOISON ELECTRONICS LTD	
.XX	±0.13 [.005"]		
.X	±0.20 [.008"]		
X	±0.50 [.019"]		
.X°	±1°		
X°	±2°		



TITLE			
SMPM STRAIGHT FEMALE CRIMP FOR RG174/RG316/LMR100 CABLE			
VIEW		PART NO.	
		ANO 9412-2109	
SIZE	SCALE	SHEET	REV.
A3	8:1	1/1	A

4

3

2

1