

4

3

2

1

1.0 MATERIAL & FINISH

- 1.1 BODY: BERYLLIUM COPPER ALLOY, GOLD PLATED
- 1.2 CENTER CONTACT: BERYLLIUM COPPER ALLOY, GOLD PLATED
- 1.3 INSULATOR: PTFE

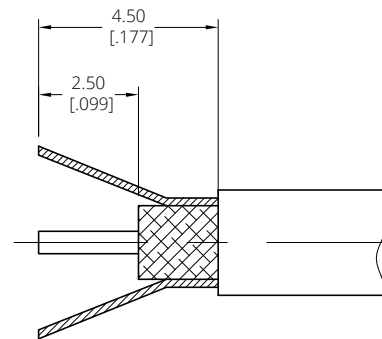
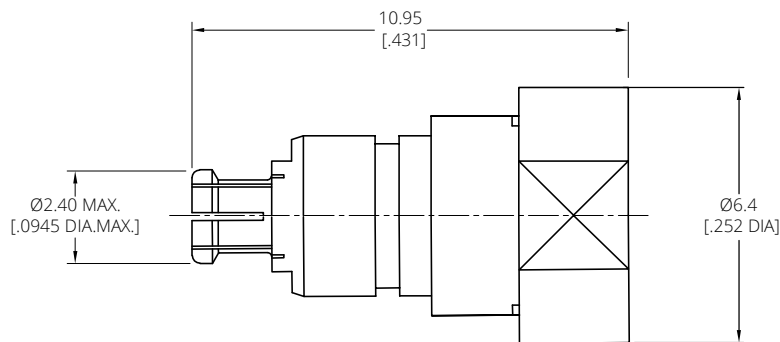
2.0 ENVIRONMENTAL DATA:

- 2.1 TEMPERATURE RANGE: -55°C~+165°C
- 2.2 2011/65/EU (RoHS): COMPLIANT

3.0 ELECTRICAL SPECIFICATIONS:

- 3.1 IMPEDANCE: 50 Ω
- 3.2 FREQUENCY RANGE: DC~65GHz
- 3.3 VSWR: 1.25 MAX. AT DC~26.5GHz
1.35 MAX. AT 26.5~40GHz

REVISIONS			
REV.	DESCRIPTION	DATE	APPROVED
A	INITIAL RELEASE	11/30/23	J. Q



CABLE STRIPPING DIMENSIONS

D

C

B

A

D

C

B

A

DRAWN	W. Y	DATE	11/30/23						
CHECKED	X. Y	DATE	11/30/23						
APPROVED	J. Q	DATE	11/30/23						
UNLESS OTHERWISE SPECIFIED DIMENSIONS ARE IN MILLIMETERS, DIMENSIONS IN [] ARE IN INCHES FOR CUSTOMER REFERENCE ONLY UNLESS OTHERWISE SPECIFIED TOLERANCE ARE:		THESE DRAWINGS AND SPECIFICATIONS ARE THE PROPERTY OF ANOISON ELECTRONICS LTD AND SHOULD NOT BE USED WITHOUT WRITTEN PERMISSION COPYRIGHT © 2023 ANOISON ELECTRONICS LTD		TITLE SMPM STRAIGHT FEMALE SOLDER FOR MB103 CABLE					
.XX ±0.13 [.005"] .X ±0.20 [.008"] X ±0.50 [.019"] X* ±1° X* ±2°		VIEW 		PART NO. ANO 9412-2064		SIZE A3	SCALE 8:1	SHEET 1/1	REV. A

4

3

2

1