

MATERIAL & FINISH:

- 1 BODY: BERYLLIUM COPPER ALLOY, GOLD PLATED
- 2 CENTER CONTACT: BERYLLIUM COPPER ALLOY, GOLD PLATED
- 3 INSULATOR: PTFE
- 4 COMPRESSION SPRING: STAINLESS STEEL, PASSIVATED
- 5 SLEEVE: STAINLESS STEEL, PASSIVATED
- 6 WASHER: STAINLESS STEEL, PASSIVATED

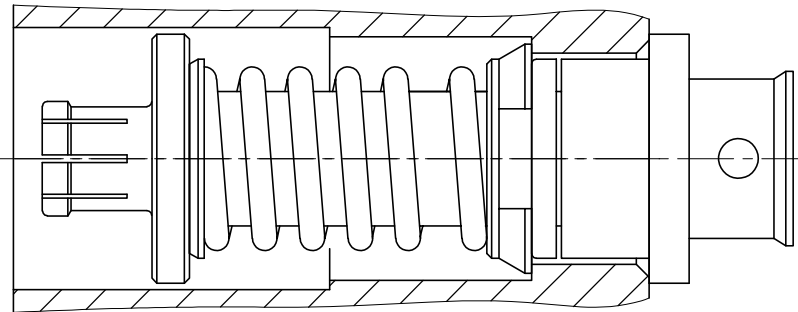
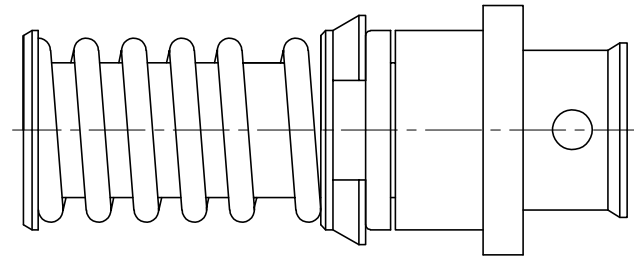
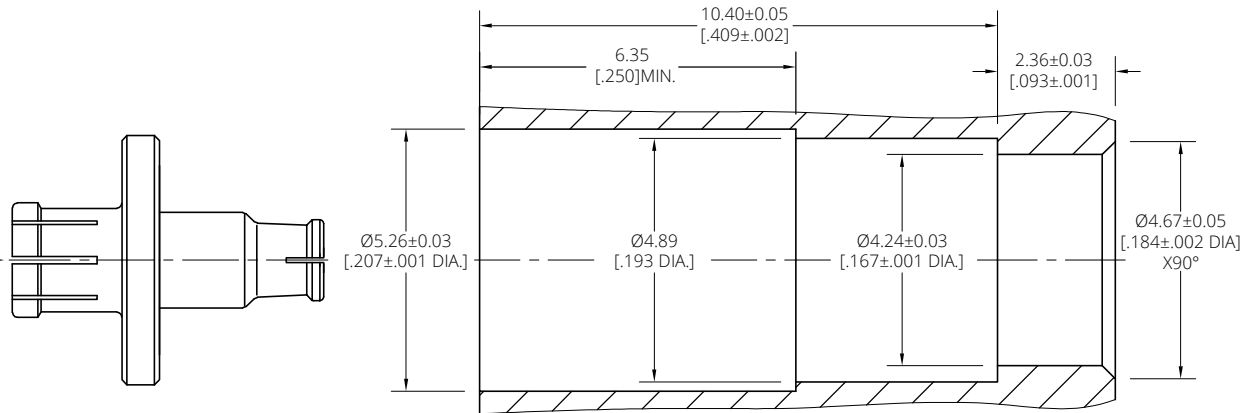
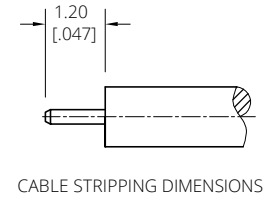
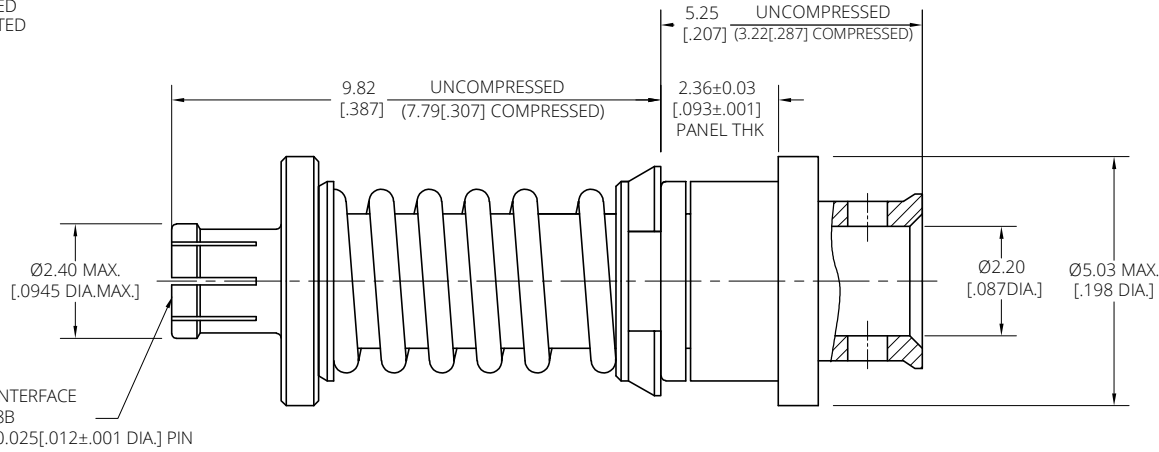
ELECTRICAL DATA:

- 1 IMPEDANCE: 50 Ω
- 2 FREQUENCY RANGE: DC-40 GHz
- 3 VSWR: 1.40 MAX.

ENVIRONMENTAL DATA:

- 1 TEMPERATURE RANGE: -55°C~+165°C
- 2 2011/65/EU(RoHS) AND 2015/863/(RoHS): COMPLIANT
- 3 1999/45/EC(REACH): COMPLIANT

| REVISIONS | | | |
|-----------|-----------------|----------|----------|
| REV. | DESCRIPTION | DATE | APPROVED |
| A | INITIAL RELEASE | 03/15/23 | J. Q |



| | | | |
|---|--------------|--|----------|
| DRAWN | W. Y | DATE | 03/15/23 |
| CHECKED | X. Y | DATE | 03/15/23 |
| APPROVED | J. Q | DATE | 03/15/23 |
| UNLESS OTHERWISE SPECIFIED DIMENSIONS ARE IN MILLIMETERS, DIMENSIONS IN [] ARE IN INCHES FOR CUSTOMER REFERENCE ONLY UNLESS OTHERWISE SPECIFIED TOLERANCE ARE: | | THESE DRAWINGS AND SPECIFICATIONS ARE THE PROPERTY OF ANOISON ELECTRONICS LTD AND SHOULD NOT BE USED WITHOUT WRITTEN PERMISSION COPYRIGHT © 2023 ANOISON ELECTRONICS LTD | |
| XX | ±0.13 [005"] | | |
| X | ±0.20 [008"] | | |
| x | ±0.50 [019"] | | |
| X° | ±1° | | |
| X" | ±2° | | |

ANOISON

TITLE: VITA67.3 BACKPLANE CONTACT SMPM STRAIGHT FEMALE FOR .086 CABLE

VIEW:

PART NO.: ANO 9412-2072

| | | | |
|------|-------|-------|------|
| SIZE | SCALE | SHEET | REV. |
| A3 | 10:1 | 1/1 | A |