

4 3 2 1

MATERIAL & FINISH:

- 1 BODY: BERYLLIUM COPPER ALLOY, GOLD PLATED
- 2 CENTER CONTACT: BERYLLIUM COPPER ALLOY, GOLD PLATED
- 3 RETAINING RING: BERYLLIUM COPPER ALLOY, NICKEL PLATED
- 4 INSULATOR: PTFE
- 5 COMPRESSION SPRING: STAINLESS STEEL, PASSIVATED
- 6 SLEEVE: STAINLESS STEEL, PASSIVATED
- 7 WASHER: STAINLESS STEEL, PASSIVATED
- 8 FERRULE: BRASS, GOLD PLATED

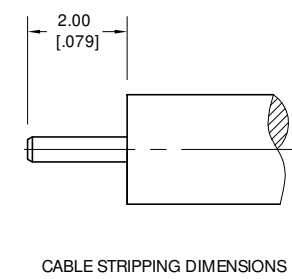
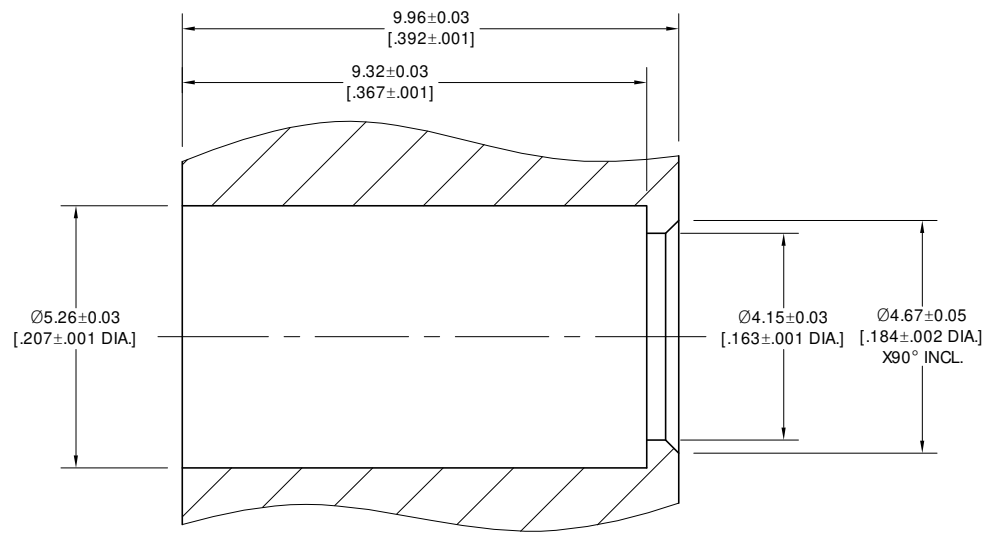
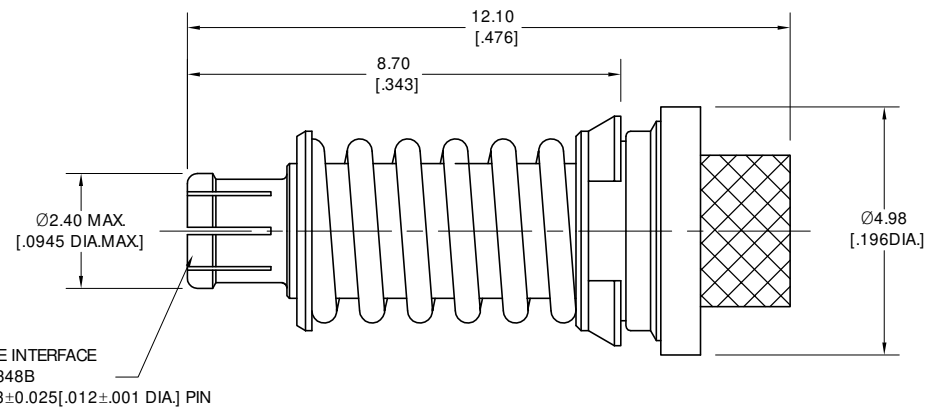
ELECTRICAL DATA:

- 1 IMPEDANCE: 50 Ω
- 2 FREQUENCY RANGE: DC~40 GHz
- 3 VSWR: 1.30 TYP.

ENVIRONMENTAL DATA:

- 1 TEMPERATURE RANGE: -55°C~+165°C
- 2 2011/65/EU (RoHS) AND 2015/863/(RoHS): COMPLIANT
- 3 1999/45/EC (REACH): COMPLIANT

REVISIONS			
REV.	DESCRIPTION	DATE	APPROVED
A	INITIAL RELEASE	02/02/21	J QU
B	CHANGED DRAWINGS	11/08/23	J QU
C	ADDED BACKPLATE MODULE P/N	08/13/24	J QU



RECOMMENDED MOUNTING HOLE
(SV BACKPLATE MODULE SF9321-60013 & TE1996883-H)

DRAWN	P. CHEN	DATE	08/13/24
CHECKED	X. B. YANG	DATE	08/13/24
APPROVED	J QU	DATE	08/13/24
UNLESS OTHERWISE SPECIFIED DIMENSIONS ARE IN MILLIMETERS, DIMENSIONS IN [] ARE IN INCHES FOR CUSTOMER REFERENCE ONLY UNLESS OTHERWISE SPECIFIED TOLERANCE ARE:		THESE DRAWINGS AND SPECIFICATIONS ARE THE PROPERTY OF ANOISON ELECTRONICS LTD AND SHOULD NOT BE USED WITHOUT WRITTEN PERMISSION COPYRIGHT © 2024 ANOISON ELECTRONICS LTD	
XX	±0.13 [.005"]		
.X	±0.20 [.008"]		
X	±0.50 [.019"]		
.X°	±1°		
X°	±2°		

TITLE
VITA67.1/2 PLUG-IN CONTACT SMPM STRAIGHT FEMALE FOR .086 CABLE

VIEW

PART NO.
ANO 9412-2050
(equal SV SF3221-40022/TE 2332684-1)

SIZE A3	SCALE 10:1	SHEET 1/1	REV. c
-------------------	----------------------	---------------------	------------------

4 3 2 1