

4 3 2 1

REVISIONS			
REV.	DESCRIPTION	DATE	APPROVED
A	INITIAL RELEASE	12/04/19	J. QU
B	ADDED MODULE 9321-60015	07/02/24	J. QU

**1.0 MATERIAL & FINISH**

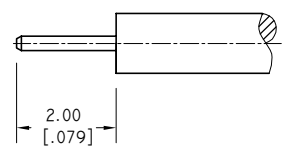
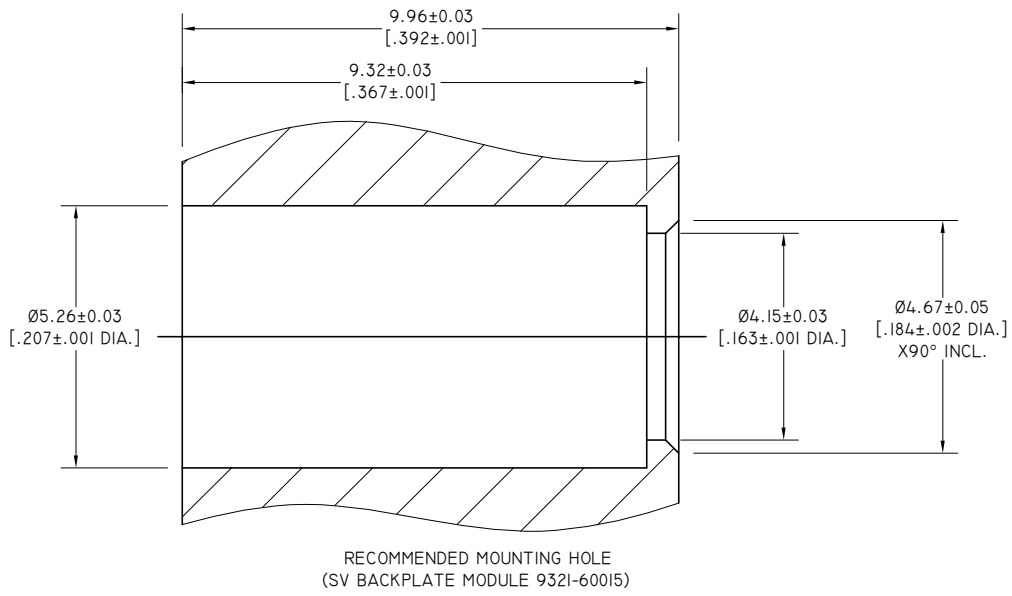
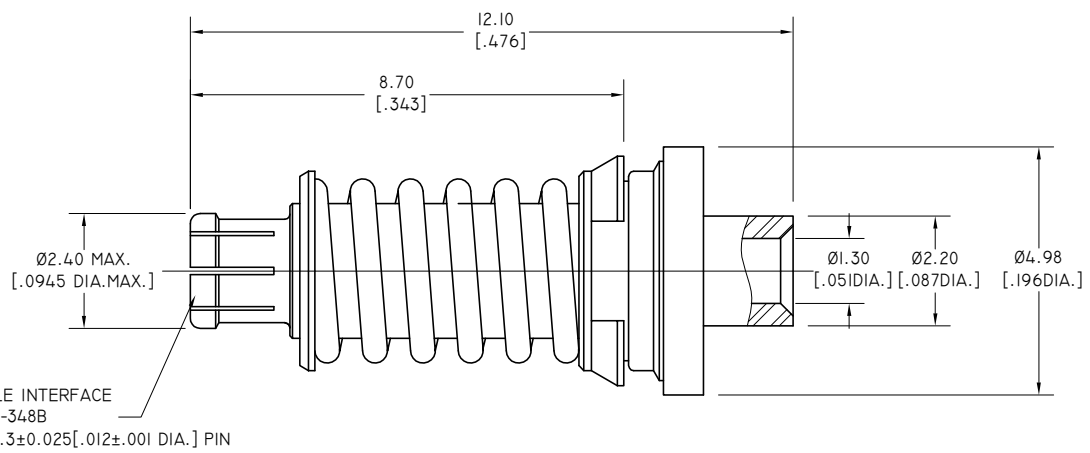
- 1 BODY: BERYLLIUM COPPER ALLOY, GOLD PLATED
- 2 CENTER CONTACT: BERYLLIUM COPPER ALLOY, GOLD PLATED
- 3 INSULATOR: PTFE
- 4 COMPRESSION SPRING: STAINLESS STEEL, PASSIVATED
- 5 SLEEVE: STAINLESS STEEL, PASSIVATED
- 6 WASHER: STAINLESS STEEL, PASSIVATED

**3.0 ELECTRICAL SPECIFICATIONS**

- 1 IMPEDANCE: 50 Ω
- 2 FREQUENCY RANGE: DC~40GHZ
- 3 VSWR: 1.30 TYP.

**2.0 ENVIRONMENTAL DATA**

- 1 TEMPERATURE RANGE: -55 °C~+125 °C
- 2 2011/65/EU(RoHS) AND 2015/863/(RoHS): COMPLIANT
- 3 1999/45/EC(REACH): COMPLIANT



CABLE STRIPPING DIMENSIONS

DRAWN	P. CHEN	DATE	07/02/24
CHECKED	L. YANG	DATE	07/02/24
APPROVED	J. QU	DATE	07/02/24
UNLESS OTHERWISE SPECIFIED DIMENSIONS ARE IN MILLIMETERS, DIMENSIONS IN [ ] ARE IN INCHES FOR CUSTOMER REFERENCE ONLY UNLESS OTHERWISE SPECIFIED TOLERANCE ARE:		THESE DRAWINGS AND SPECIFICATIONS ARE THE PROPERTY OF ANOISON ELECTRONICS LTD AND SHOULD NOT BE USED WITHOUT WRITTEN PERMISSION COPYRIGHT © 2024 ANOISON ELECTRONICS LTD	
.XX	±0.13 [.005"]		
.X	±0.20 [.008"]		
X°	±0.50 [.019"]		
X°	±1°		
X°	±2°		

TITLE: VITA67.1/2 PLUG-IN CONTACT SMPM STRAIGHT FEMALE FOR .047 CABLE

VIEW:

PART NO. ANO 9412-2038

SIZE	SCALE	SHEET	REV.
A3	10:1	I/I	B

4 3 2 1