

4

3

2

1

1.0 MATERIAL & FINISH

- 1.1 BODY: BERYLLIUM COPPER ALLOY, GOLD PLATED
- 1.2 CENTER CONTACT: BERYLLIUM COPPER ALLOY, GOLD PLATED
- 1.3 INSULATOR: PTFE
- 1.4 COUPLING NUT: STAINLESS STEEL, PASSIVATED

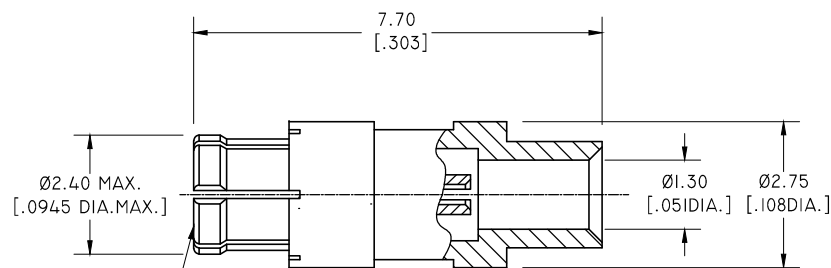
3.0 ELECTRICAL SPECIFICATIONS:

- 3.1 IMPEDANCE: 50 Ω
- 3.2 FREQUENCY RANGE: DC~65GHZ
- 3.3 VSWR: 1.30 MAX. TYPICAL AT DC~40GHZ

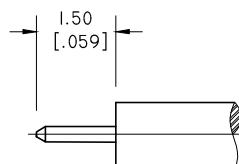
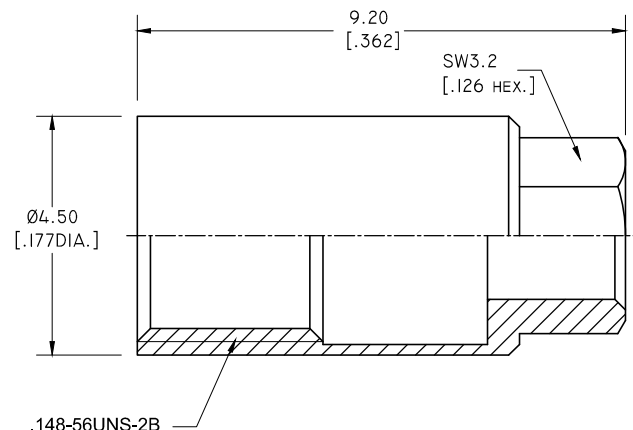
2.0 ENVIRONMENTAL DATA:

- 2.1 TEMPERATURE RANGE: -55°C~+165°C
- 2.2 2011/65/EU (RoHS): COMPLIANT

REVISIONS			
REV.	DESCRIPTION	DATE	APPROVED
A	INITIAL RELEASE	02/14/18	J. QU
B	CHANGED CENTER CONTACT	10/11/19	J. QU



SMPM FEMALE INTERFACE  
 PRE MIL-STD-348B  
 ACCEPTS Ø0.3±0.025[.012±.001 DIA.] PIN



CABLE STRIPPING DIMENSIONS

DRAWN	W. YANG	DATE	10/11/19
CHECKED	L. YANG	DATE	10/11/19
APPROVED	J. QU	DATE	10/11/19
UNLESS OTHERWISE SPECIFIED DIMENSIONS ARE IN MILLIMETERS. DIMENSIONS IN [ ] ARE IN INCHES FOR CUSTOMER REFERENCE ONLY UNLESS OTHERWISE SPECIFIED TOLERANCE ARE:		THESE DRAWINGS AND SPECIFICATIONS ARE THE PROPERTY OF ANOISON ELECTRONICS LTD AND SHOULD NOT BE USED WITHOUT WRITTEN PERMISSION COPYRIGHT © 2019 ANOISON ELECTRONICS LTD	
.XX	±0.13 [.005"]		
.X	±0.20 [.008"]		
X	±0.50 [.019"]		
.X°	±1°		
X°	±2°		



TITLE  
 SMPM-T STRAIGHT FEMALE SOLDER FOR .047 CABLE, CAPTIVATED CONTACT

VIEW	PART NO. ANO 9412-2022		
	SIZE A3	SCALE 10:1	SHEET 1/1
		REV. B	

4

3

2

1