

4

3

2

1

MATERIAL & FINISH:

- 1 BODY AND CENTER CONTACT:
IRON NICKEL ALLO (KOVAR) IAW ASTM F-15 AND F-1466(MIL-I-23011 CLASS 1) UNS K94610
GOLD PLATED .000050 IN MIN. THK.(1.27 MICRO METERS) PER ASTM B-488, CODE A, TYPE III, OVER
NICKEL PLATE, .000050 IN MIN. THK. PER SAE-AMS-QQ-N-290, OR ASTM B-689 TYPE 1.
3 INSULATOR: GLASS 7070

ENVIRONMENTAL DATA:

- 1 TEMPERATURE RANGE: -55°C~+125°C
2 2011/65/EU(RoHS) AND 2015/863/(RoHS): COMPLIANT
3 REACH SVHC247: COMPLIANT

ELECTRICAL DATA:

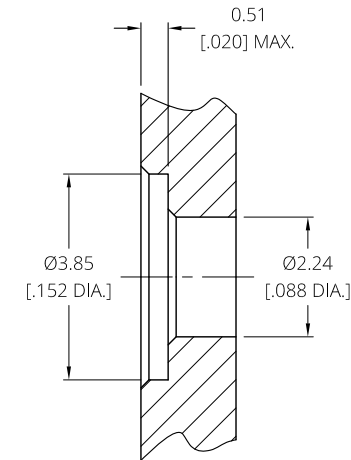
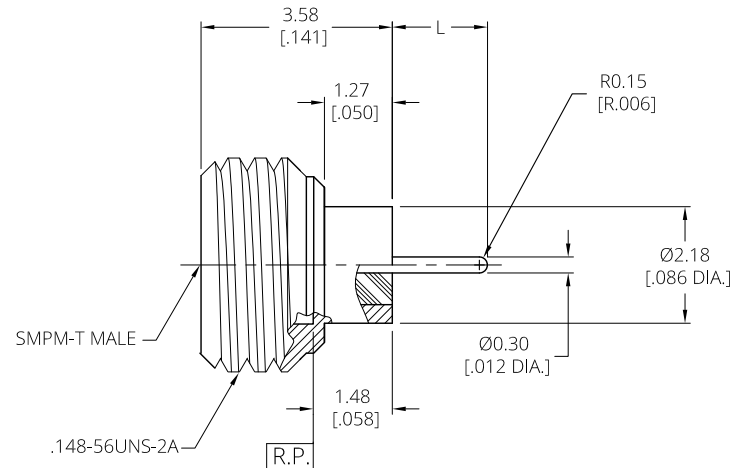
- 1 IMPEDANCE: 50 Ω
2 FREQUENCY RANGE: DC~65 GHz
3 VSWR: 1.25 MAX. AT DC~26.5 GHz
1.35 MAX. AT 26.5~40 GHz
1.60 MAX. AT 40~65 GHz
4 INSERTION LOSS: 0.06x√FGHz) dB

MECHANICAL DATA:

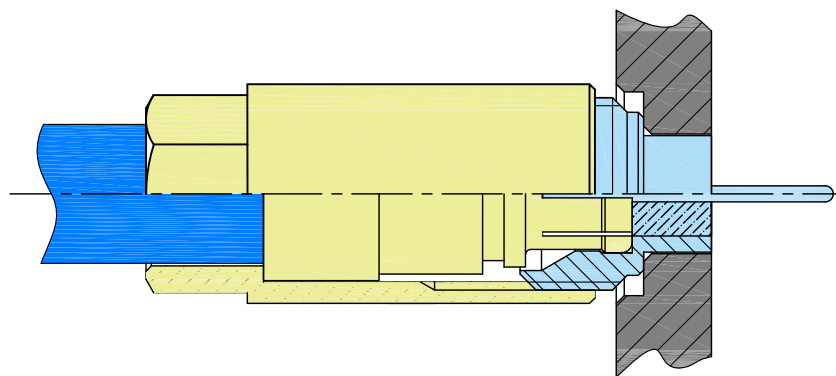
- 1 HERMETICITY: 1X10⁻⁸ CC STD. CC/SEC. AT 1 ATMOSPHERE

REVISIONS

REV.	DESCRIPTION	DATE	APPROVED
A	INITIAL RELEASE	01/08/20	J. Q
B	ADDED VSWR & INSERTION LOSS	04/14/23	J. Q
C	ANO 9411-6040-5 ADDED	05/19/25	J. Q
D	FINISH CHANGED TO GOLD 1.27μm MIN. OVER NICKEL 1.27μm~2.54μm	08/20/25	J. Q
E	ADDED TYPICAL SOLDER CUT OUT.	10/09/25	J. Q
F	BODY AND CENTER CONTACT MATERIAL & FINISH STANDARD/REGULATIONS ADDED	02/14/26	J. Q



REFERENCE ONLY, TYPICAL SOLDER CUT OUT.
DETAIL OF CUT OUT IS DEFINED BY APPLICATION REQUIREMENTS



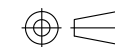
Typical applications of SMPM-T male and female mated and locking.

PART NO.	TYPE	CONTACT LENGTH(L)
ANO 9411-6040-1	FULL DETENT	1.52 [.06]
ANO 9411-6040-2	FULL DETENT	2.28 [.09]
ANO 9411-6040-3	SMOOTH BORE	1.52 [.06]
ANO 9411-6040-4	SMOOTH BORE	2.28 [.09]
ANO 9411-6040-5	SMOOTH BORE	0.76 [.030]

DRAWN	W. Y	DATE	02/14/26
CHECKED	X. Y	DATE	02/14/26
APPROVED	J. Q	DATE	02/14/26
UNLESS OTHERWISE SPECIFIED DIMENSIONS ARE IN MILLIMETERS, DIMENSIONS IN [] ARE IN INCHES FOR CUSTOMER REFERENCE ONLY UNLESS OTHERWISE SPECIFIED TOLERANCE ARE:		THESE DRAWINGS AND SPECIFICATIONS ARE THE PROPERTY OF ANOISON ELECTRONICS LTD AND SHOULD NOT BE USED WITHOUT WRITTEN PERMISSION COPYRIGHT © 2026 ANOISON ELECTRONICS LTD	
.XX	±0.13 [0.005"]		
.X	±0.20 [0.008"]		
X	±0.50 [0.019"]		
X*	±1°		
X*	±2°		

TITLE
SMPM-T STRAIGHT MALE SOLDER-IN
HERMETIC SHROUD WITH .012 DIA. CONTACT

VIEW



PART NO.

ANO 9411-6040

SIZE
A3SCALE
5:1SHEET
1/1REV.
F

4

3

2

1