

MATERIAL & FINISH:

- 1 BODY: STAINLESS STEEL, GOLD PLATE
- 2 CENTER CONTACT: BERYLLIUM COPPER, GOLD PLATED
- 3 INSULATOR: PTFE

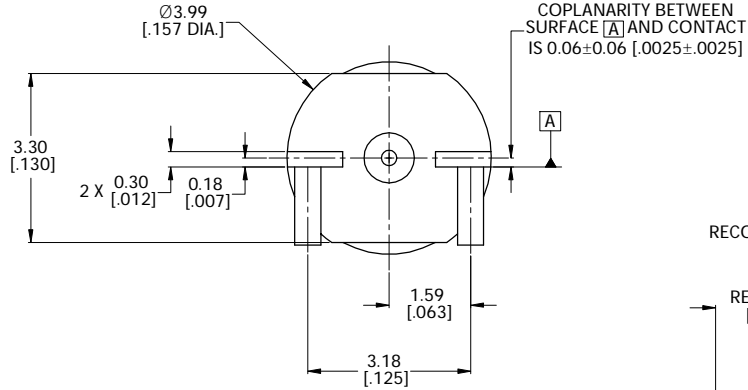
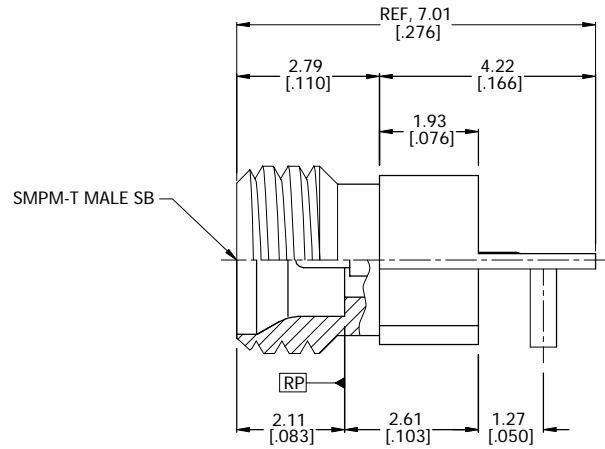
ELECTRICAL DATA:

- 1 IMPEDANCE: 50 Ω
- 2 FREQUENCY RANGE: DC-50 GHz

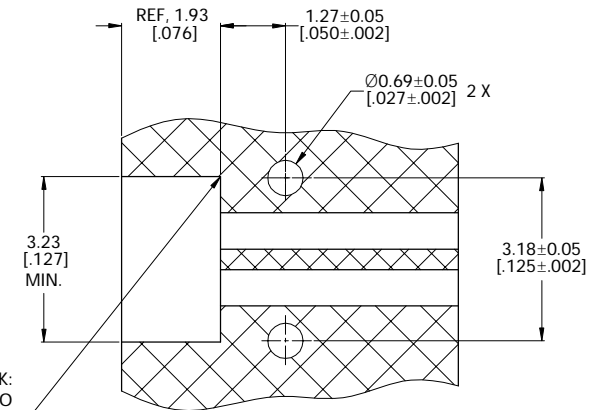
ENVIRONMENTAL DATA:

- 1 TEMPERATURE RANGE: -55°C ~ +125°C
- 2 2011/65/EU(RoHS) AND 2015/863/(RoHS): COMPLIANT
- 3 1907/2006/EC(REACH): COMPLIANT/AVO;

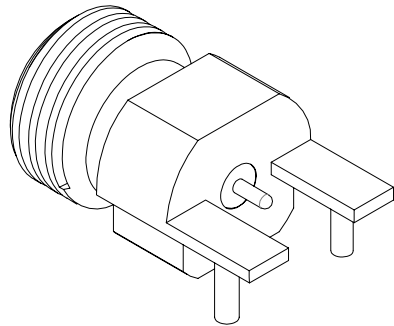
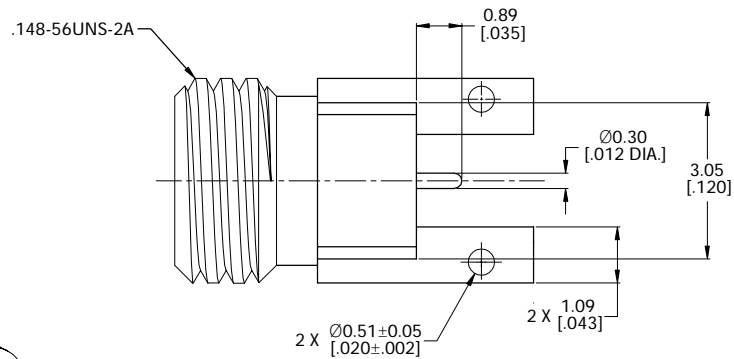
REVISIONS			
REV.	DESCRIPTION	DATE	APPROVED
A	INITIAL RELEASE	03/15/24	J. Q



RECOMMENDE MECHANICAL PCB FOOTPRINT



2 X ZERO CORNER BREAK:
ENSURE ZERO TO NO
RADIUS SO CONNCECTOR
SITS FLUSH TO FACE



DRAWN	X. Y	DATE	03/15/24
CHECKED	W. Y	DATE	03/15/24
APPROVED	J. Q	DATE	03/15/24
UNLESS OTHERWISE SPECIFIED DIMENSIONS ARE IN MILLIMETERS, DIMENSIONS IN [] ARE IN INCHES FOR CUSTOMER REFERENCE ONLY UNLESS OTHERWISE SPECIFIED TOLERANCE ARE:		THESE DRAWINGS AND SPECIFICATIONS ARE THE PROPERTY OF ANOISON ELECTRONICS LTD AND SHOULD NOT BE USED WITHOUT WRITTEN PERMISSION COPYRIGHT © 2024 ANOISON ELECTRONICS LTD	
XX	±0.13 [.005"]		
X	±0.20 [.008"]		
X	±0.50 [.019"]		
X°	±1°		
X"	±2°		



TITLE			
SMPM-T MALE PCB EDGE LAUNCH, SMOOTH BORE			
VIEW		PART NO.	
		ANO 9411-5090	
SIZE	SCALE	SHEET	REV.
A3	10:1	1/1	A