

4

3

2

1

MATERIAL & FINISH:

- 1 BODY: STAINLESS STEEL, PASSIVATED
- 2 CENTER CONTACT: BERYLLIUM COPPER ALLOY, GOLD PLATED
- 3 INSULATOR: PTFE

ELECTRICAL DATA:

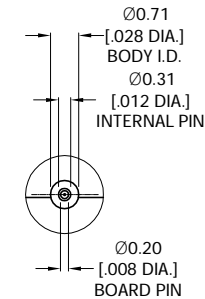
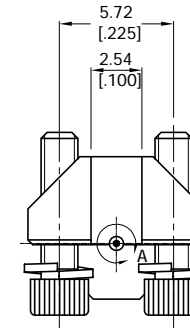
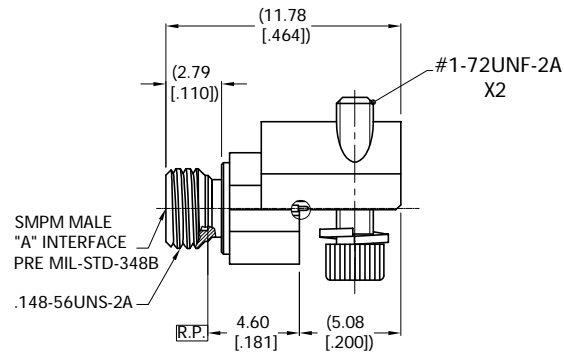
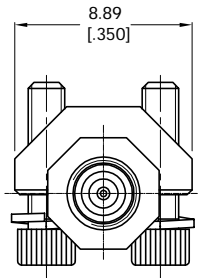
- 1 IMPEDANCE: 50 Ω
- 2 FREQUENCY RANGE: DC-65 GHz

ENVIRONMENTAL DATA:

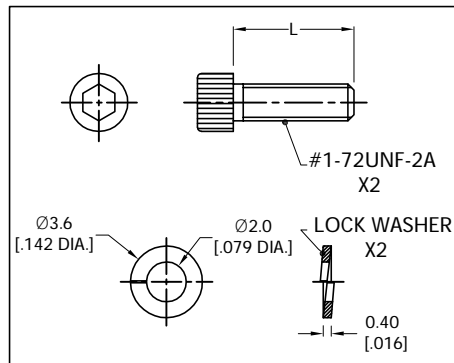
- 1 TEMPERATURE RANGE: -55 °C ~ +125 °C
- 2 2011/65/EU(RoHS) AND 2015/863/(RoHS): COMPLIANT
- 3 1999/2006/EC(REACH): COMPLIANT

REVISIONS

| REV. | DESCRIPTION | DATE | APPROVED |
|------|-----------------|----------|----------|
| A | INITIAL RELEASE | 03/15/24 | J. Q. |



| PART NO. | PCB THICKNESS | L |
|-----------------|-----------------------|------------|
| ANO 9411-5089-1 | 0.81[.032]~3.12[.123] | 4.78[.188] |
| ANO 9411-5089-2 | 2.39[.094]~4.70[.185] | 6.35[.250] |



| | | | |
|---|----------------|--|----------|
| DRAWN | P. C | DATE | 03/15/24 |
| CHECKED | X. Y | DATE | 03/15/24 |
| APPROVED | J. Q | DATE | 03/15/24 |
| UNLESS OTHERWISE SPECIFIED DIMENSIONS ARE IN MILLIMETERS, DIMENSIONS IN [] ARE IN INCHES FOR CUSTOMER REFERENCE ONLY UNLESS OTHERWISE SPECIFIED TOLERANCE ARE: | | THESE DRAWINGS AND SPECIFICATIONS ARE THE PROPERTY OF ANOISON ELECTRONICS LTD AND SHOULD NOT BE USED WITHOUT WRITTEN PERMISSION COPYRIGHT © 2024 ANOISON ELECTRONICS LTD | |
| XX | ±0.13 [0.005"] | | |
| X | ±0.20 [0.008"] | | |
| x | ±0.50 [0.019"] | | |
| X" | ±1° | | |
| X" | ±2° | | |

TITLE
SMPM-T MALE SMOOTH BORE EDGE LAUNCH CONNECTOR

| VIEW | PART NO. | SIZE | SCALE | SHEET | REV. |
|------|---------------|------|-------|-------|------|
| | ANO 9411-5089 | A3 | 4:1 | 1/1 | A |

4

3

2

1