

4 3 2 1

**MATERIAL & FINISH:**

- 1 BODY: BERYLLIUM COPPER ALLOY, GOLD PLATED
- 2 CENTER CONTACT: BERYLLIUM COPPER ALLOY, GOLD PLATED
- 3 INSULATOR: PTFE

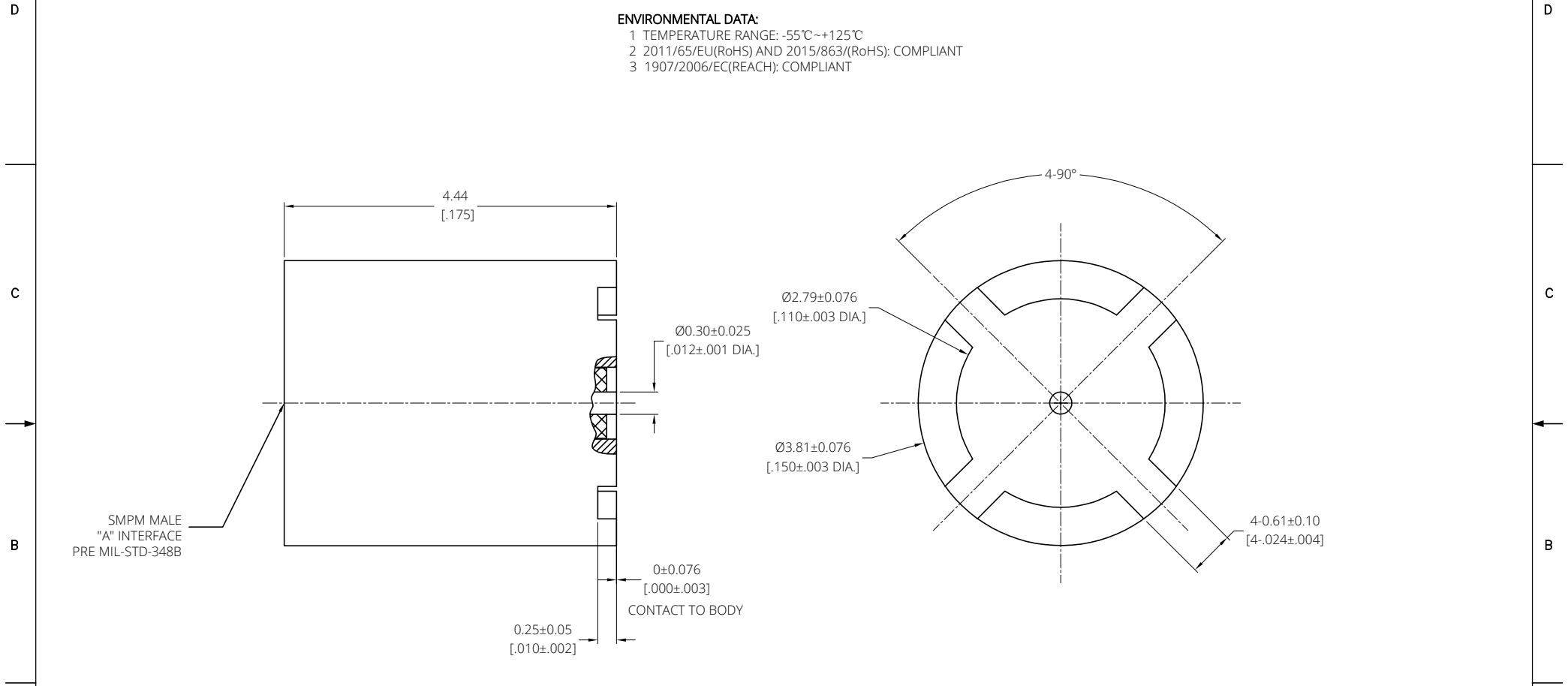
**ELECTRICAL DATA:**

- 1 IMPEDANCE: 50 Ω
- 2 FREQUENCY RANGE: DC~26.5 GHz
- 3 VSWR: ≤1.50

**ENVIRONMENTAL DATA:**

- 1 TEMPERATURE RANGE: -55°C~+125°C
- 2 2011/65/EU(RoHS) AND 2015/863/(RoHS): COMPLIANT
- 3 1907/2006/EC(REACH): COMPLIANT

REVISIONS			
REV.	DESCRIPTION	DATE	APPROVED
A	INITIAL RELEASE	07/29/22	J. Q



SMPM MALE  
"A" INTERFACE  
PRE MIL-STD-348B

PART NO.	"A" INTERFACE
ANO 9411-5065-1	FULL DETENT
ANO 9411-5065-2	SMOOTH BORE

DRAWN	W. Y	DATE	07/29/22
CHECKED	X. Y	DATE	07/29/22
APPROVED	J. Q	DATE	07/29/22
UNLESS OTHERWISE SPECIFIED DIMENSIONS ARE IN MILLIMETERS, DIMENSIONS IN [ ] ARE IN INCHES FOR CUSTOMER REFERENCE ONLY UNLESS OTHERWISE SPECIFIED TOLERANCE ARE:		THESE DRAWINGS AND SPECIFICATIONS ARE THE PROPERTY OF ANOISON ELECTRONICS LTD AND SHOULD NOT BE USED WITHOUT WRITTEN PERMISSION COPYRIGHT © 2022 ANOISON ELECTRONICS LTD	
XX	±0.13 [0.005"]		
X	±0.20 [0.008"]		
X	±0.50 [0.019"]		
X*	±1°		
X*	±2°		



TITLE			
SMPM STRAIGHT MALE SURFACE MOUNT			
VIEW		PART NO.	
		ANO 9411-5065	
SIZE	SCALE	SHEET	REV.
A3	5:1	1/1	A

4 3 2 1