

4 3 2 1

REVISIONS			
REV.	DESCRIPTION	DATE	APPROVED
A	INITIAL RELEASE	10/27/21	J. QU

**MATERIAL & FINISH:**

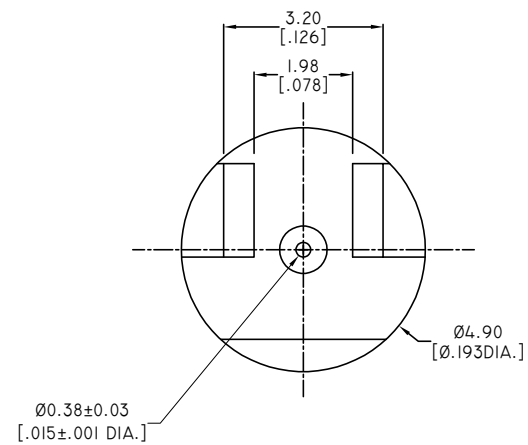
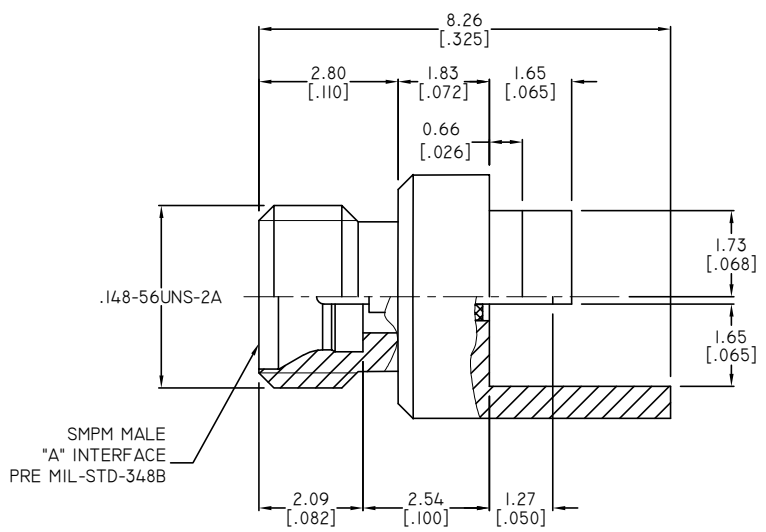
- 1 BODY: BERYLLIUM COPPER, GOLD PLATED
- 2 CENTER CONTACT: BERYLLIUM COPPER, GOLD PLATED
- 3 INSULATOR: PTFE

**ELECTRICAL DATA:**

- 1 IMPEDANCE: 50 Ω
- 2 FREQUENCY RANGE: DC-40 GHZ

**ENVIRONMENTAL DATA:**

- 1 TEMPERATURE RANGE: -55°C~+125°C
- 2 2011/65/EU (RoHS): COMPLIANT



PART NO.	"A" INTERFACE
ANO 9411-5055-1	FULL DETENT
ANO 9411-5055-2	SMOOTH BORE

DRAWN	W. YANG	DATE	10/27/21
CHECKED	X. B. YANG	DATE	10/27/21
APPROVED	J. QU	DATE	10/27/21
UNLESS OTHERWISE SPECIFIED DIMENSIONS ARE IN MILLIMETERS, DIMENSIONS IN [ ] ARE IN INCHES FOR CUSTOMER REFERENCE ONLY UNLESS OTHERWISE SPECIFIED TOLERANCE ARE:		THESE DRAWINGS AND SPECIFICATIONS ARE THE PROPERTY OF ANOISON ELECTRONICS LTD AND SHOULD NOT BE USED WITHOUT WRITTEN PERMISSION COPYRIGHT © 2021 ANOISON ELECTRONICS LTD	
.XX	±0.13 [.005"]		
.X	±0.20 [.008"]		
X	±0.50 [.019"]		
X°	±1°		
X°	±2°		

**TITLE**  
SMPM-T STRAIGHT MALE, LAUNCHER, (BOARD EDGE MOUNT)

**VIEW**

**PART NO.** ANO 9411-5055

SIZE	SCALE	SHEET	REV.
A3	10:1	1/1	A

4 3 2 1