

**MATERIAL & FINISH:**

- 1 BODY: STAINLESS STEEL, GOLD PLATED
- 2 CENTER CONTACT: BERYLLIUM COPPER ALLOY, GOLD PLATED
- 3 INSULATOR: PTFE

**ELECTRICAL SPECIFICATIONS:**

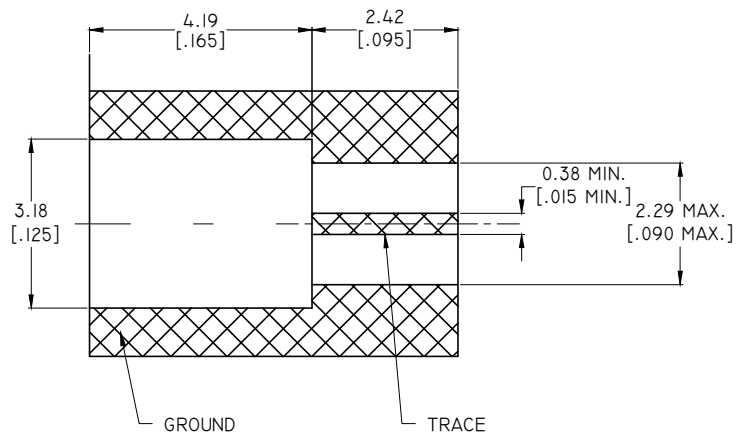
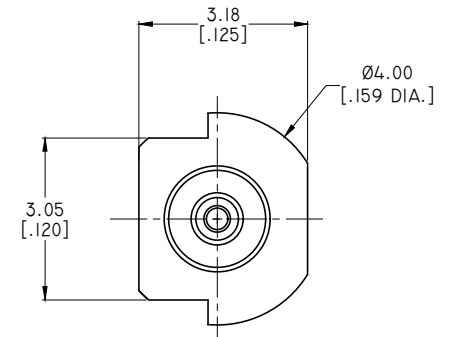
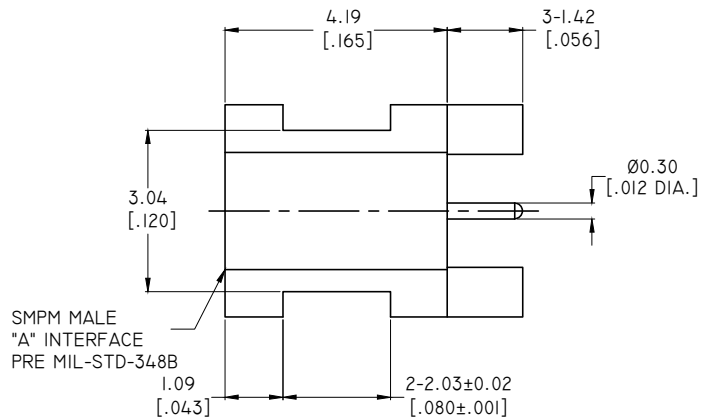
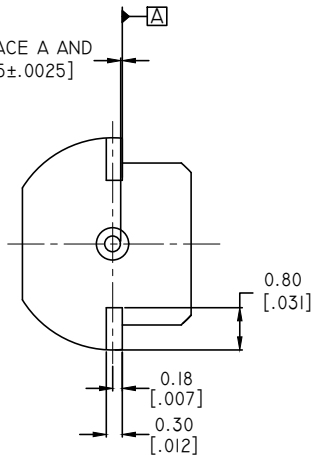
- 1 IMPEDANCE: 50 Ω
- 2 FREQUENCY RANGE: DC~65 GHZ
- 3 INSULATION RESISTANCE: 5000 MΩ MIN.

**ENVIRONMENTAL DATA:**

- 1 TEMPERATURE RANGE: -55°C~+125°C
- 2 2011/65/EU(RoHS) AND 2015/863/(RoHS): COMPLIANT
- 3 1999/45/EC(REACH): COMPLIANT

REVISIONS			
REV.	DESCRIPTION	DATE	APPROVED
A	INITIAL RELEASE	12/06/19	J. QU
B	CHANGED FREQUENCY RANGE	07/02/25	J. QU

COPLANARITY BETWEEN SURFACE A AND CONTACT IS 0.06±0.06 [.0025±.0025]



PART NO.	"A" INTERFACE
ANO 9411-5039-1	FULL DETENT
ANO 9411-5039-2	SMOOTH BORE

DRAWN	W. YANG	DATE	07/02/25
CHECKED	L. YANG	DATE	07/02/25
APPROVED	J. QU	DATE	07/02/25
UNLESS OTHERWISE SPECIFIED DIMENSIONS ARE IN MILLIMETERS. DIMENSIONS IN [ ] ARE IN INCHES FOR CUSTOMER REFERENCE ONLY UNLESS OTHERWISE SPECIFIED TOLERANCE ARE:		THESE DRAWINGS AND SPECIFICATIONS ARE THE PROPERTY OF ANOISON ELECTRONICS LTD AND SHOULD NOT BE USED WITHOUT WRITTEN PERMISSION COPYRIGHT © 2025 ANOISON ELECTRONICS LTD	
.XX	±0.13 [.005"]		
.X	±0.20 [.008"]		
.X°	±0.50 [.019"]		
.X°	±1°		
X°	±2°		



TITLE			
SMPM STRAIGHT MALE EDGE MOUNT			
VIEW		PART NO.	
		ANO 9411-5039	
SIZE	SCALE	SHEET	REV.
A3	10:1	1/1	B