

4

3

2

1

**MATERIAL & FINISH:**

- 1 BODY: BERYLLIUM COPPER, GOLD PLATED
- 2 CENTER CONTACT: BERYLLIUM COPPER, GOLD PLATED
- 3 INSULATOR: PTFE

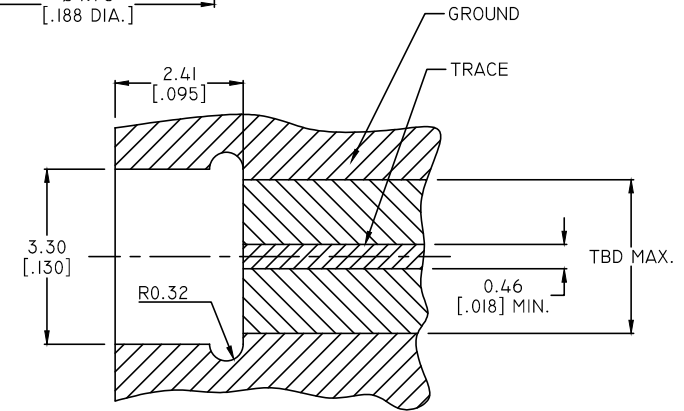
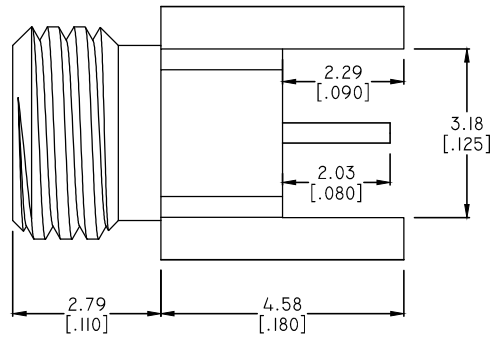
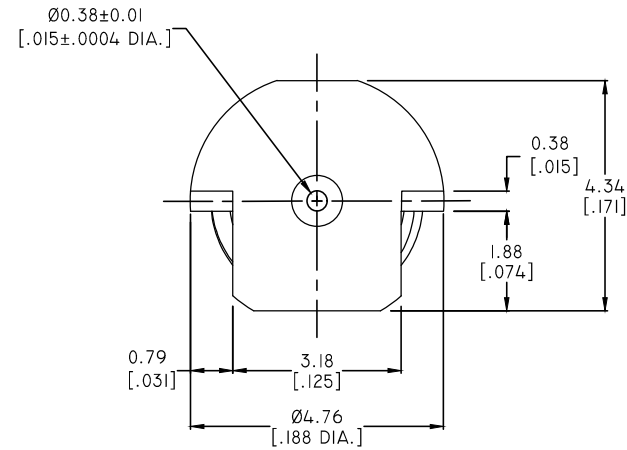
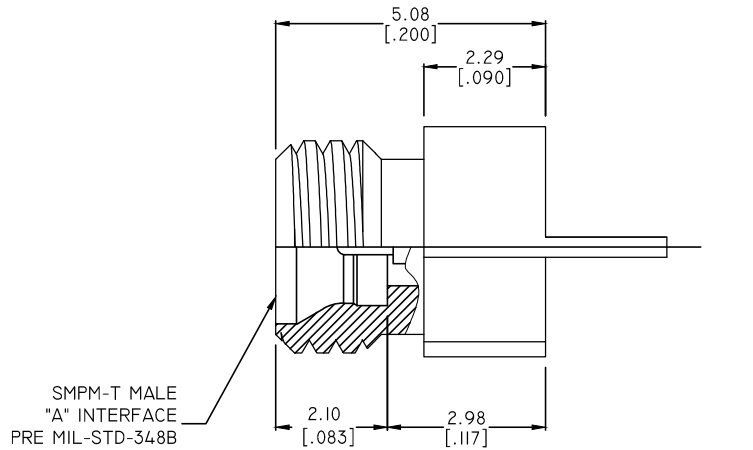
**ELECTRICAL DATA:**

- 1 IMPEDANCE: 50 Ω
- 2 FREQUENCY RANGE: DC~40 GHZ

**ENVIRONMENTAL DATA:**

- 1 TEMPERATURE RANGE: -55°C~+125°C

REVISIONS			
REV.	DESCRIPTION	DATE	APPROVED
A	INITIAL RELEASE	01/28/19	J. QU



MOUNTING CUT OUT  
MOUNTING BOARD MATERIAL TBD

PART NO.	"A" INTERFACE
ANO 9411-5028-1	FULL DETENT
ANO 9411-5028-2	SMOOTH BORE

DRAWN	W. YANG	DATE	01/28/19
CHECKED	X. B. YANG	DATE	01/28/19
APPROVED	J. QU	DATE	01/28/19
UNLESS OTHERWISE SPECIFIED DIMENSIONS ARE IN MILLIMETERS, DIMENSIONS IN [ ] ARE IN INCHES FOR CUSTOMER REFERENCE ONLY UNLESS OTHERWISE SPECIFIED TOLERANCE ARE:		THESE DRAWINGS AND SPECIFICATIONS ARE THE PROPERTY OF ANOISON ELECTRONICS LTD AND SHOULD NOT BE USED WITHOUT WRITTEN PERMISSION COPYRIGHT © 2019 ANOISON ELECTRONICS LTD	
.XX	±0.13 [.005"]		
.X	±0.20 [.008"]		
X	±0.50 [.019"]		
.X°	±1°		
X°	±2°		



TITLE				
SMPM-T STRAIGHT MALE, LAUNCHER, (BOARD EDGE MOUNT)				
VIEW		PART NO.		
		ANO 9411-5028		
SIZE	SCALE	SHEET	REV.	
A3	10:1	1/1	A	

4

3

2

1