

4

3

2

1

## MATERIAL &amp; FINISH:

- 1 BODY: BERYLLIUM COPPER, GOLD PLATED
- 2 CENTER CONTACT: BERYLLIUM COPPER, GOLD PLATED
- 3 INSULATOR: PTFE

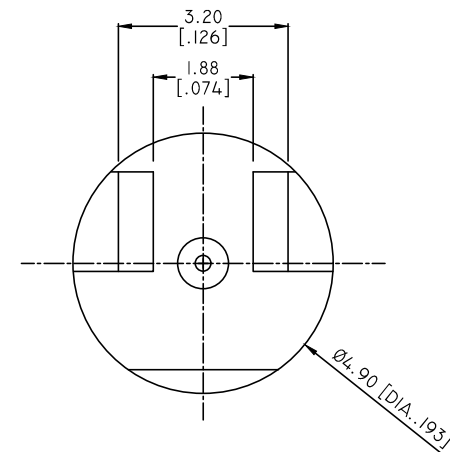
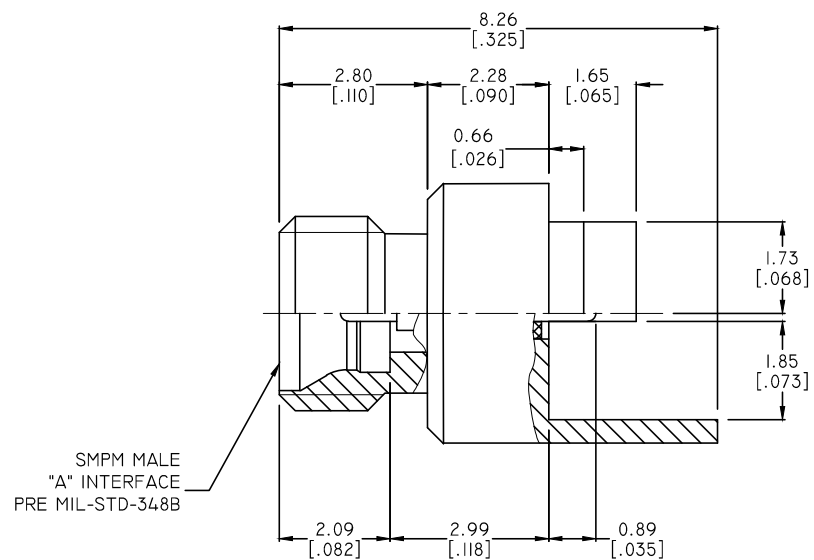
## ELECTRICAL DATA:

- 1 IMPEDANCE: 50 Ω
- 2 FREQUENCY RANGE: DC~40 GHz

## ENVIRONMENTAL DATA:

- 1 TEMPERATURE RANGE: -55°C~+125°C

REVISIONS			
REV.	DESCRIPTION	DATE	APPROVED
A	INITIAL RELEASE	01/09/18	J. QU



PART NO.	"A" INTERFACE
ANO 9411-5020-1	FULL DETENT
ANO 9411-5020-2	SMOOTH BORE

DRAWN	W. YANG	DATE	01/09/18
CHECKED	X. B. YANG	DATE	01/09/18
APPROVED	J. QU	DATE	01/09/18
UNLESS OTHERWISE SPECIFIED DIMENSIONS ARE IN MILLIMETERS. DIMENSIONS IN [ ] ARE IN INCHES FOR CUSTOMER REFERENCE ONLY UNLESS OTHERWISE SPECIFIED TOLERANCE ARE:		THESE DRAWINGS AND SPECIFICATIONS ARE THE PROPERTY OF ANOISON ELECTRONICS LTD AND SHOULD NOT BE USED WITHOUT WRITTEN PERMISSION COPYRIGHT © 2018 ANOISON ELECTRONICS LTD	
.XX	+0.13 [.005"]		
.X	+0.20 [.008"]		
X	+0.50 [.019"]		
.X°	±1°		
X°	±2°		



TITLE  
SMPM-T STRAIGHT MALE, LAUNCHER,  
(BOARD EDGE MOUNT)

VIEW



PART NO.  
ANO 9411-5020

SIZE	SCALE	SHEET	REV.
A3	10:1	1/1	A

4

3

2

1