

4

3

2

1

**MATERIAL & FINISH:**

- 1 BODY: STAINLESS, PASSIVATED
- 2 CENTER CONTACT: BERYLLIUM COPPER, GOLD PLATED
- 3 INSULATOR: PTFE

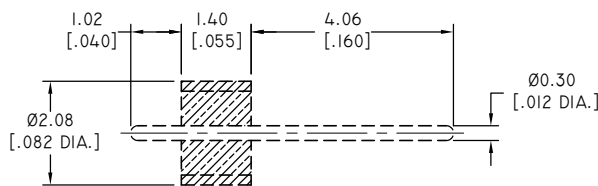
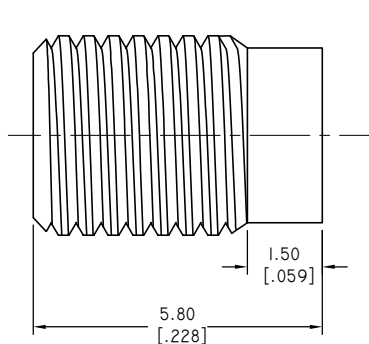
**ELECTRICAL DATA:**

- 1 IMPEDANCE: 50 Ω
- 2 FREQUENCY RANGE: DC~65 GHZ

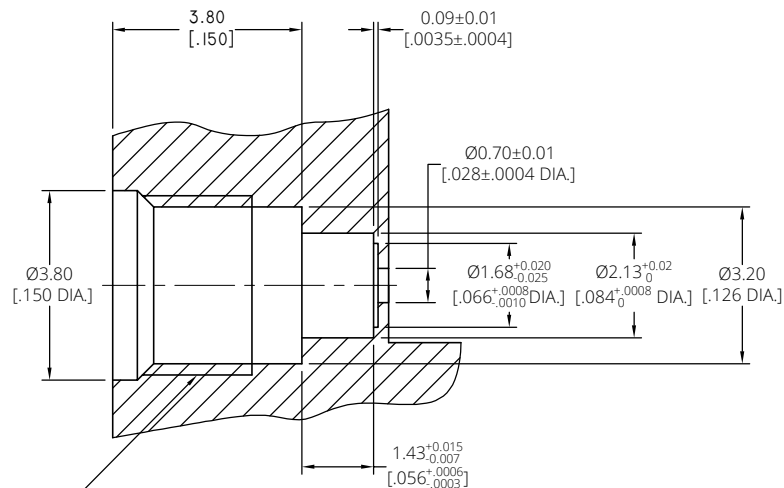
**ENVIRONMENTAL DATA:**

- 1 TEMPERATURE RANGE: -55°C~+165°C

REVISIONS			
REV.	DESCRIPTION	DATE	APPROVED
A	INITIAL RELEASE	01/08/20	J. Q
B	ADDED BEAD P/N	07/07/25	J. Q
C	ADDED MOUNTING HOLE DIMENSION	09/05/25	J. Q



BEAD P/N: ANO HS-0502-RR  
 BEAD AS SHOWN ON DRAWING SOLD SEPARATELY



.148-56UNS-2B RECOMMEND MOUNTING HOLE

PART NO.	INTERFACE
ANO 941I-5016-1	FULL DETENT
ANO 941I-5016-2	SMOOTH BORE

DRAWN	W. Y	DATE	09/05/25
CHECKED	L. Y	DATE	09/05/25
APPROVED	J. Q	DATE	09/05/25
UNLESS OTHERWISE SPECIFIED DIMENSIONS ARE IN MILLIMETERS, DIMENSIONS IN [ ] ARE IN INCHES FOR CUSTOMER REFERENCE ONLY UNLESS OTHERWISE SPECIFIED TOLERANCE ARE:		THESE DRAWINGS AND SPECIFICATIONS ARE THE PROPERTY OF ANOISON ELECTRONICS LTD AND SHOULD NOT BE USED WITHOUT WRITTEN PERMISSION COPYRIGHT © 2025 ANOISON ELECTRONICS LTD	
.XX	±0.13 [0.005"]		
.X	±0.20 [0.008"]		
X*	±0.50 [0.019"]		
X*	±1°		
X*	±2°		



TITLE  
 SMPM-T STRAIGHT MALE, THREAD-IN WITH Ø.012 CONTACT

VIEW	PART NO. ANO 941I-5016			
	SIZE A3	SCALE 10:1	SHEET 1/1	REV. C

4

3

2

1